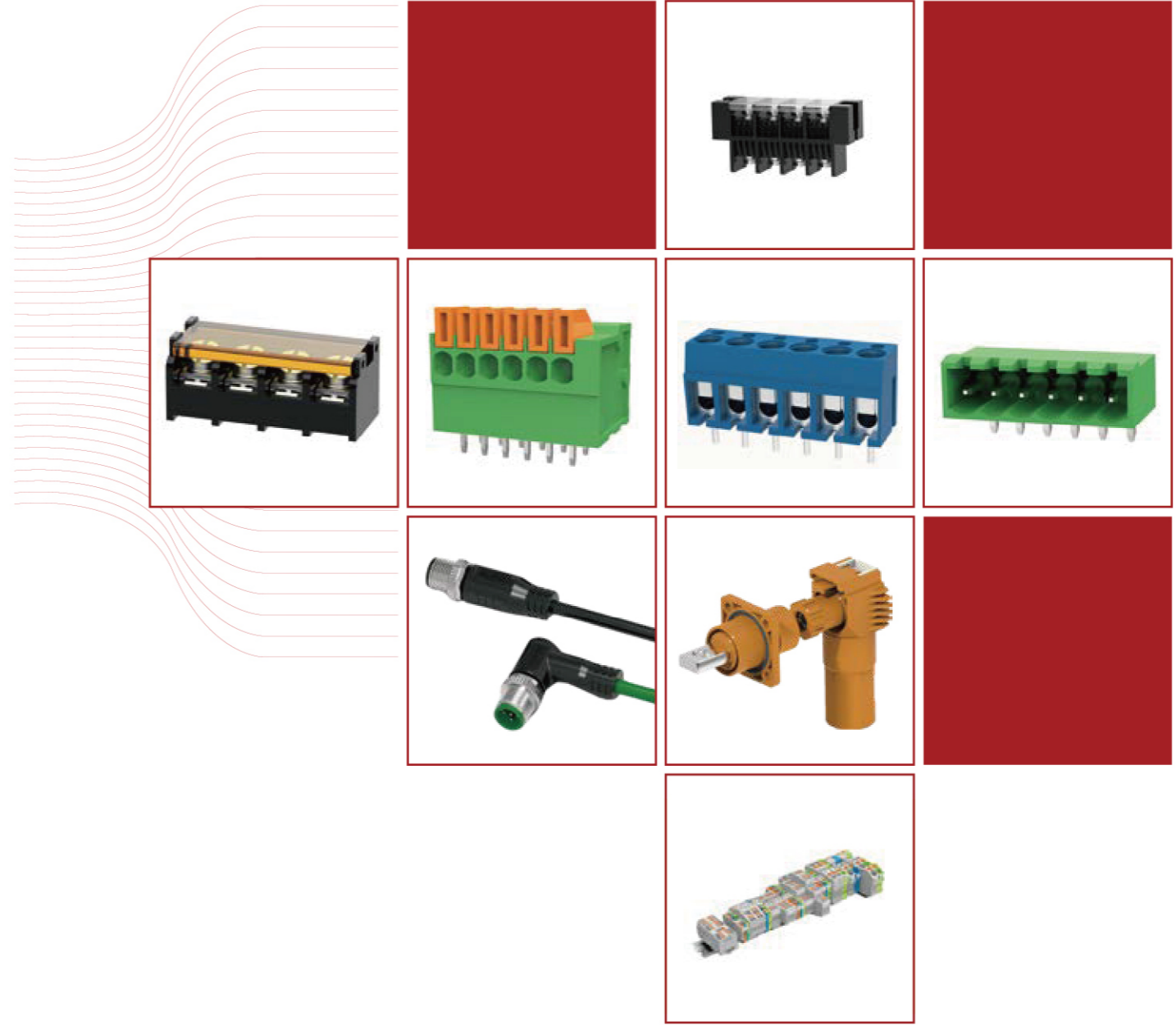




Product Search

Shrapnel terminal block/ Plug-In terminal block/Lifting terminal block/Barrier terminal block
Spring-type terminal block/Feed-through terminal block/ Rail terminal block/Wiring terminal block



Ningbo Dorabo Electric Co., Ltd

Mainland China Headquarter

Information inquiry, consulting services, FAQs

+86-400-860-0988

info@terminalblock.net

Technical advice consulting

Installation and debugging, application and configuration, troubleshooting

+86-18106644275

tech@terminalblock.net

International Business Inquiry

Information inquiry, consulting services, FAQs

+86-13116659155 +86-13185980275

steven.lu@terminalblock.net info@terminalblock.net

Domestic Business Inquiry

Product selection and solution consulting

+86-18058513799 +86-18106644275 +86-18966387535

sale@terminalblock.net



WeChat



Web



Catalogue

Ningbo Dorabo Electric Co., Ltd

+86-400-860-0988

Company Introduction

Founded in 2013, DORABO Electric is a well-recognized supplier for offering a comprehensive solution of industrial connectors. Since its inception, DORABO has prospered globally in the field of terminal blocks and industrial electrical connections, ranking among the leading players. Meanwhile, we carry out the concept of survival by quality, and our products are well received in more than 100 countries and regions such as China, the United States, Germany, the United Kingdom, Turkey, Japan, Singapore, etc. DORABO always strives to provide superior services for worldwide industries such as industrial automation, instrumentation, electric power, rail transportation, shipping, new energy, lift, lighting, security, aerospace and so on. Currently, all kinds of our products have been approved by CQC, UL, VDE, CE, etc. and our product also aligns with the standards of various management systems such as ISO9001, ISO14001 as well as environmental protection requirements of ROHS and REACH.



Certification Display



DCN 16.0mm Energy Storage High Voltage Connector (16-25 Square mm Wire)



The DCN 120A energy storage high voltage connector is a high-current connector solution specifically developed for the energy storage market. It features quick plug-and-play, safety, reliability, and space-saving capabilities.

With low application costs, it resolves the traditional connector terminal and busbar issues that require substantial installation and maintenance costs. It is the preferred solution for a new generation of energy storage systems.

Features

- Optional colors for positive and negative poles;
- One-piece molded plastic housing, reliable insulation, and easy installation;
- Product incorporates error-proofing design;
- Foolproof design for positive and negative poles to prevent incorrect operation;
- Meets the requirement for 360° rotation after connecting energy storage battery packs;
- Protection level of IP67.

Product Performance	
Durability	100 cycles
Plug-and-play force	<100N
Wiring Range	16 to 25mm ² Non-shielded Wire
Rated Current	80A to 120A
Rated Voltage	1,000V DC
Voltage Resistance	3,000V AC
Insulation Resistance	≥500MΩ (DC1,000V)
Protection Level	IP67
Operating Temperature	-40°C to 125°C
Contact Components	Copper Alloy, Silver-Plated Surface
Casing	PA66
Flame Retardant Rating	UL94V0

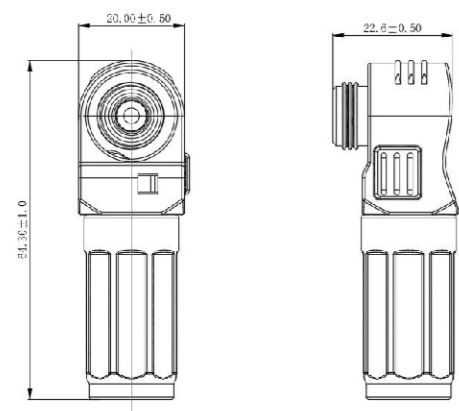
Product Selection Table: (Plug)

Model No.	P/N	Material Name	Color	Compatible Cables /Copper Busbars	Notes
1	DCN1-120T-X-OR-C25	120A Positive Plate (Male) Terminal	Orange	25mm ²	Waterproof Intermating
2	DCN1-120T-Y-BK-C25	120A Negative Plate (Male) Terminal	Black	25mm ²	Waterproof Intermating

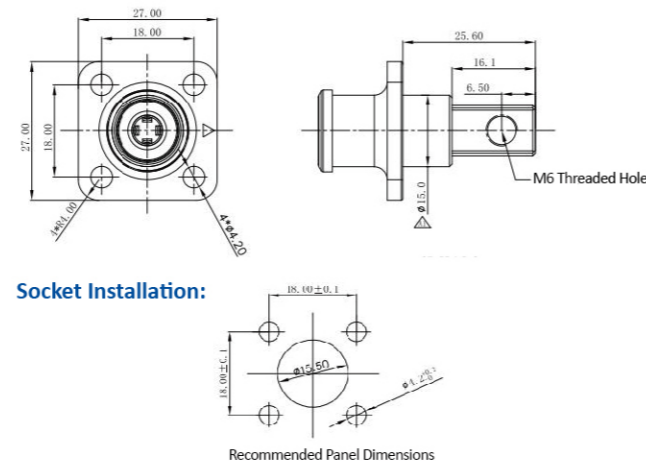
Product Selection Table: (Socket)

Model No.	P/N	Material Name	Color	Compatible Cables /Copper Busbars	Notes
1	DCN1-120Z-X-OR-M6	120A Positive Plate (Female) Terminal	Orange	Copper Busbar (M6 Screw Hole)	Waterproof Intermating
2	DCN1-120Z-Y-BK-M6	120A Negative Plate (Female) Terminal	Black	Copper Busbar (M6 Screw Hole)	Waterproof Intermating

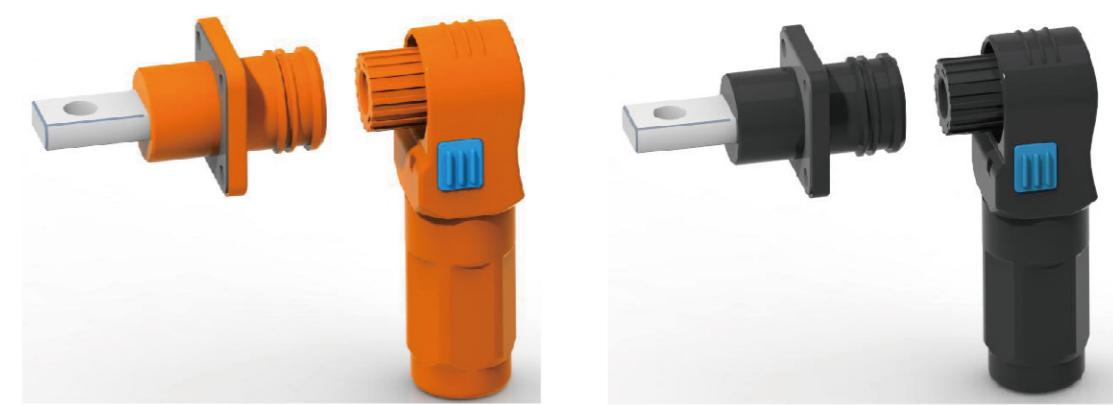
DCN 16.0mm Energy Storage High Voltage Connector Plug Dimensions



DCN 16.0mm Energy Storage High Voltage Connector Socket Dimensions



DCN 18.0mm Energy Storage High Voltage Connector (35-50 Square mm Wire)



The DCN 200A energy storage high voltage connector is a high-current connector solution specifically developed for the energy storage market. It features quick plug-and-play, safety, reliability, and space-saving capabilities.

With low application costs, it resolves the traditional connector terminal and busbar issues that require substantial installation and maintenance costs. It is the preferred solution for a new generation of energy storage systems.

Features

- Optional colors for positive and negative poles;
- One-piece molded plastic housing, reliable insulation, and easy installation;
- Product incorporates error-proofing design;
- Foolproof design for positive and negative poles to prevent incorrect operation;
- Meets the requirement for 360° rotation after connecting energy storage battery packs;
- Protection level of IP67.

Product Performance	
Durability	100 cycles
Plug-and-play force	<100N
Wiring Range	35 to 50mm ² Non-shielded Wire
Rated Current	150A to 200A
Rated Voltage	1,500V DC
Voltage Resistance	5,000V AC
Insulation Resistance	≥500MΩ (DC1,500V)
Protection Level	IP67
Operating Temperature	-40°C to 125°C
Contact Components	Copper Alloy, Silver-Plated Surface
Casing	PA66
Flame Retardant Rating	UL94V0

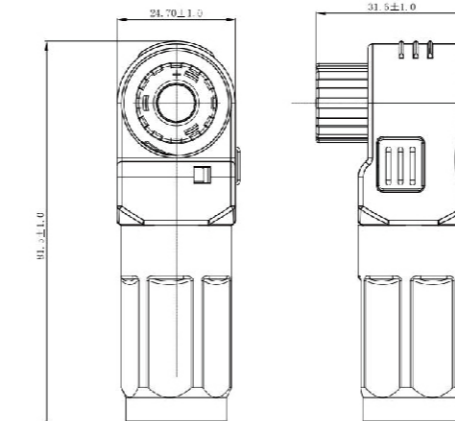
Product Selection Table: (Plug)

Model No.	P/N	Material Name	Color	Compatible Cables /Copper Busbars	Notes
1	DCN1-200T-X-OR-C50	200A Positive Plate (Male) Terminal	Orange	50mm ²	Waterproof Intermating
2	DCN1-200T-Y-BK-C50	200A Negative Plate (Male) Terminal	Black	50mm ²	Waterproof Intermating

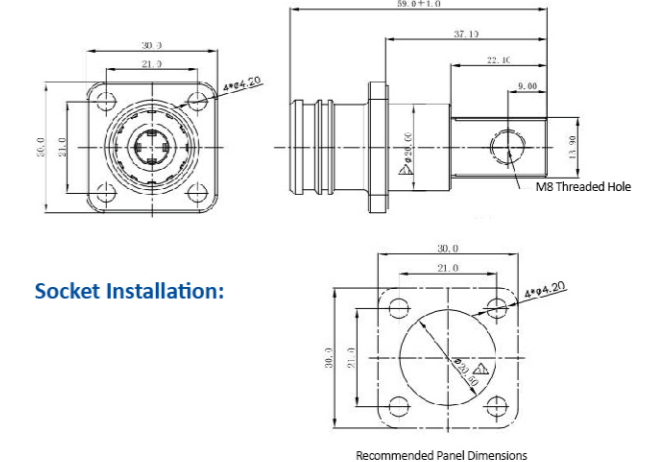
Product Selection Table: (Socket)

Model No.	P/N	Material Name	Color	Compatible Cables /Copper Busbars	Notes
1	DCN1-200Z-X-OR-M8	200A Positive Plate (Female) Terminal	Orange	Copper Busbar (M8 Screw Hole)	Waterproof Intermating
2	DCN1-200Z-Y-BK-M8	200A Negative Plate (Female) Terminal	Black	Copper Busbar (M8 Screw Hole)	Waterproof Intermating

DCN 18.0mm Energy Storage High Voltage Connector Plug Dimensions



DCN 18.0mm Energy Storage High Voltage Connector Socket Dimensions



DCN 6.0mm Energy Storage High Voltage Connector (16-25 Square mm Wire)



The DCN 120A energy storage high voltage connector is a high-current connector solution specifically developed for the energy storage market. It features quick plug-and-play, safety, reliability, and space-saving capabilities. With low application costs, it resolves the traditional connector terminal and busbar issues that require substantial installation and maintenance costs. It is the preferred solution for a new generation of energy storage systems.

Features

- Optional colors for positive and negative poles;
- One-piece molded plastic housing, reliable insulation, and easy installation;
- Product incorporates error-proofing design;
- Foolproof design for positive and negative poles to prevent incorrect operation;
- Meets the requirement for 360° rotation after connecting energy storage battery packs;
- Protection Level IP54;

Product Performance	
Durability	100 cycles
Plug-and-play force	<100N
Wiring Range	16 to 25mm ² Non-shielded Wire
Rated Current	80A to 120A
Rated Voltage	1,000V DC
Voltage Resistance	3,000V AC
Insulation Resistance	≥500MΩ (DC1,000V)
Protection Level	IP54
Operating Temperature	-40°C to 125°C
Contact Components	Copper Alloy, Silver-Plated Surface
Casing	PA66
Flame Retardant Rating	UL94V0

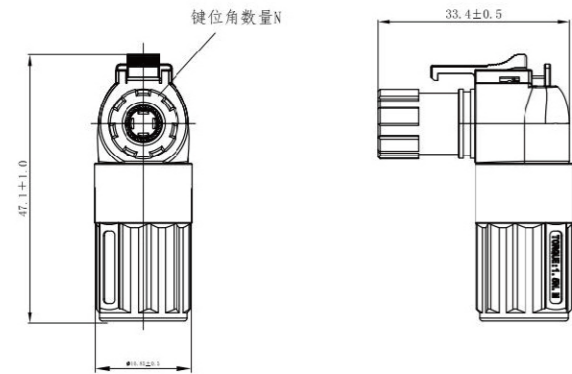
Product Selection Table: (Plug)

Model No.	P/N	Material Name	Color	Compatible Cables/Copper Busbars	Notes
1	DCN-120T-X-OR-C25	120A Positive Plate (Male) Terminal	Orange	25mm ²	
2	DCN-120T-Y-BK-C25	120A Negative Plate (Male) Terminal	Black	25mm ²	

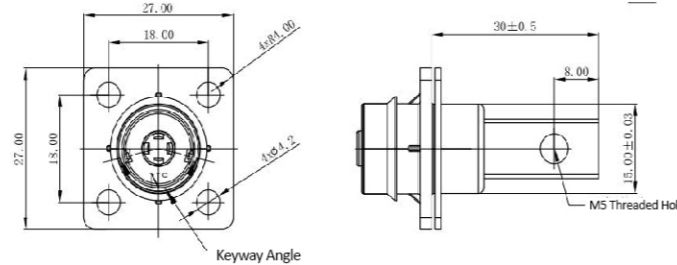
Product Selection Table: (Socket)

Model No.	P/N	Material Name	Color	Compatible Cables/Copper Busbars	Notes
1	DCN-120Z-X-OR-M5	120A Positive Plate (Female) Terminal	Orange	Copper Busbar (M5 Screw Hole)	
2	DCN-120Z-Y-BK-M5	120A Negative Plate (Female) Terminal	Black	Copper Busbar (M5 Screw Hole)	

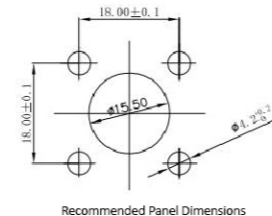
DCN 6.0mm Energy Storage High Voltage Connector Plug Dimensions



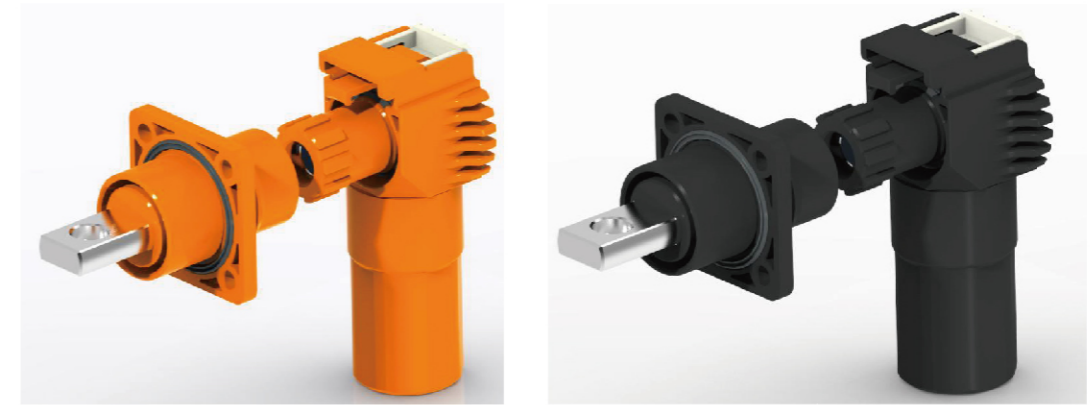
DCN 6.0mm Energy Storage High Voltage Connector Socket Dimensions



Socket Installation:



DCN 8.0mm Energy Storage High Voltage Connector (35-50 Square mm Wire)



The DCN 200A energy storage high voltage connector is a high-current connector solution specifically developed for the energy storage market. It features quick plug-and-play, safety, reliability, and space-saving capabilities. With low application costs, it resolves the traditional connector terminal and busbar issues that require substantial installation and maintenance costs. It is the preferred solution for a new generation of energy storage systems.

Features

- Optional colors for positive and negative poles;
- One-piece molded plastic housing, reliable insulation, and easy installation;
- Product incorporates error-proofing design;
- Foolproof design for positive and negative poles to prevent incorrect operation;
- Meets the requirement for 360° rotation after connecting energy storage battery packs;
- Protection level of IP67.

Product Performance	
Durability	100 cycles
Plug-and-play force	<100N
Wiring Range	35 to 50mm ² Non-shielded Wire
Rated Current	150A to 200A
Rated Voltage	1,500V DC
Voltage Resistance	6,800V AC
Insulation Resistance	≥1,000MΩ (DC1,500V)
Protection Level	IP67
Operating Temperature	-40°C to 125°C
Contact Components	Copper Alloy, Silver-Plated Surface
Casing	PA66
Flame Retardant Rating	UL94V0

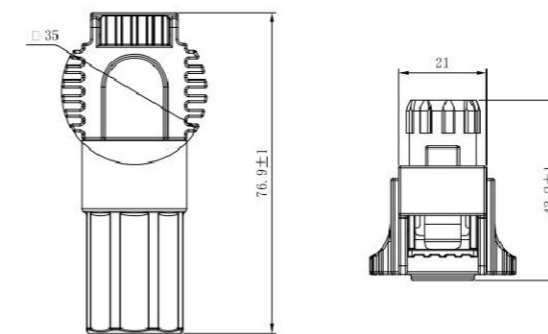
Product Selection Table: (Plug)

Model No.	P/N	Material Name	Color	Compatible Cables/Copper Busbars	Notes
1	DCN-200T-X-OR-C50-YW	200A Positive Plate (Male) Terminal	Orange	50mm ²	
2	DCN-200T-Y-BK-C50-YW	200A Negative Plate (Male) Terminal	Black	50mm ²	

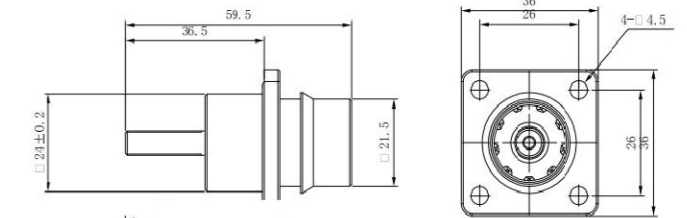
Product Selection Table: (Socket)

Model No.	P/N	Material Name	Color	Compatible Cables/Copper Busbars	Notes
1	DCN-200Z-X-OR-M8-YW	200A Positive Plate (Female) Terminal	Orange	Copper Busbar (M8 Screw Hole)	
2	DCN-200Z-Y-BK-M8-YW	200A Negative Plate (Female) Terminal	Black	Copper Busbar (M8 Screw Hole)	

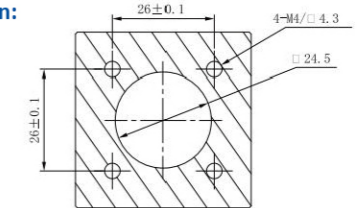
DCN 8.0mm Energy Storage High Voltage Connector Plug Dimension



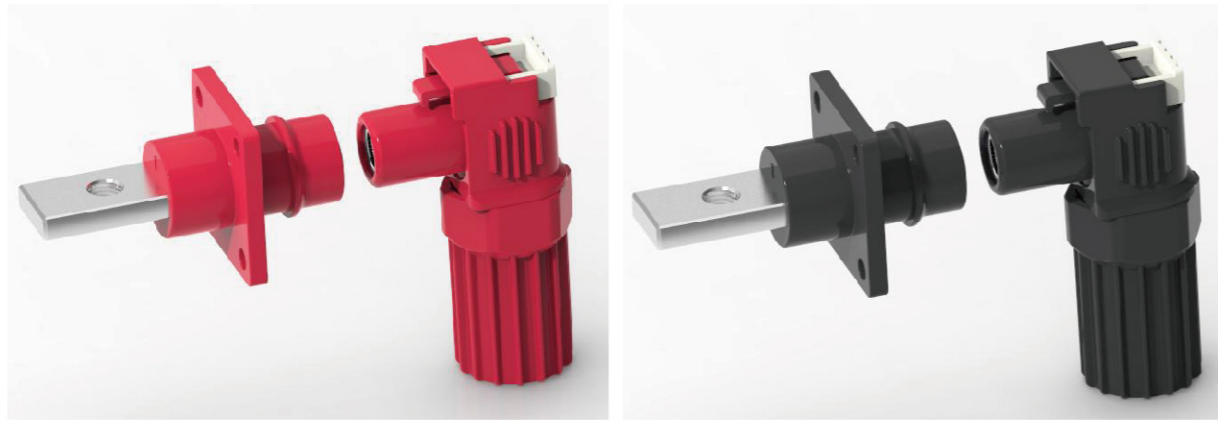
DCN 8.0mm Energy Storage High Voltage Connector Socket Dimensions



Socket Installation:



DCN 10.0mm Energy Storage High Voltage Connector (70-95 Square mm Wire)



The DCN 300A energy storage high voltage connector is a high-current connector solution specifically developed for the energy storage market. It features quick plug-and-play, safety, reliability, and space-saving capabilities.

With low application costs, it resolves the traditional connector terminal and busbar issues that require substantial installation and maintenance costs. It is the preferred solution for a new generation of energy storage systems.

Features

- Optional colors for positive and negative poles;
- One-piece molded plastic housing, reliable insulation, and easy installation;
- Product incorporates error-proofing design;
- Foolproof design for positive and negative poles to prevent incorrect operation;
- Meets the requirement for 360° rotation after connecting energy storage battery packs;
- Protection Level IP54.

Product Performance	
Durability	100 cycles
Plug-and-play force	<100N
Wiring Range	70 to 95mm ² Non-shielded Wire
Rated Current	250A to 300A
Rated Voltage	1,000V DC
Voltage Resistance	3,500V AC
Insulation Resistance	≥1,000MΩ (DC1,000V)
Protection Level	IP54
Operating Temperature	-40°C to 125°C
Contact Components	Copper Alloy, Silver-Plated Surface
Casing	PA66
Flame Retardant Rating	UL94V0

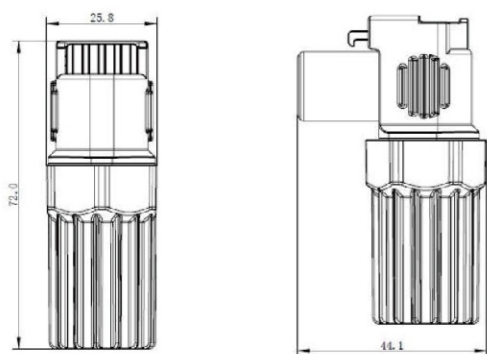
Product Selection Table: (Plug)

Model No.	P/N	Material Name	Color	Compatible Cables/Copper Busbars	Notes
1	DCN-300T-X-RD-C95	300A Positive Plate (Male) Terminal	Orange	95mm ²	
2	DCN-300T-Y-BK-C95	300A Negative Plate (Male) Terminal	Black	95mm ²	

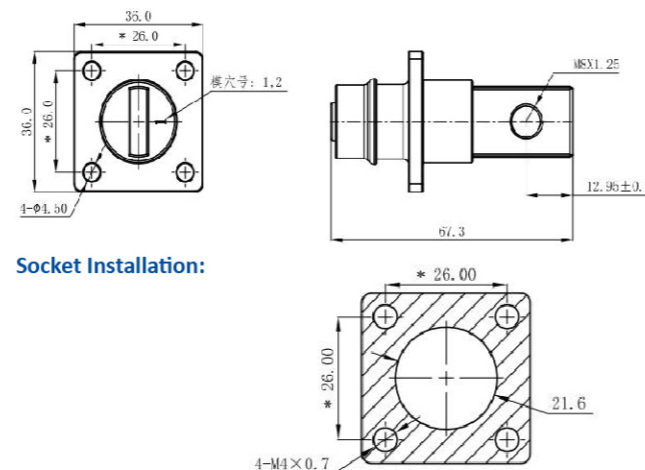
Product Selection Table: (Socket)

Model No.	P/N	Material Name	Color	Compatible Cables/Copper Busbars	Notes
1	DCN-300Z-X-RD-M8	300A Positive Plate (Female) Terminal	Orange	Copper Busbar (M8 Screw Hole)	
2	DCN-300Z-Y-BK-M8	300A Negative Plate (Female) Terminal	Black	Copper Busbar (M8 Screw Hole)	

DCN 10.0mm Energy Storage High Voltage Connector Plug Dimensions

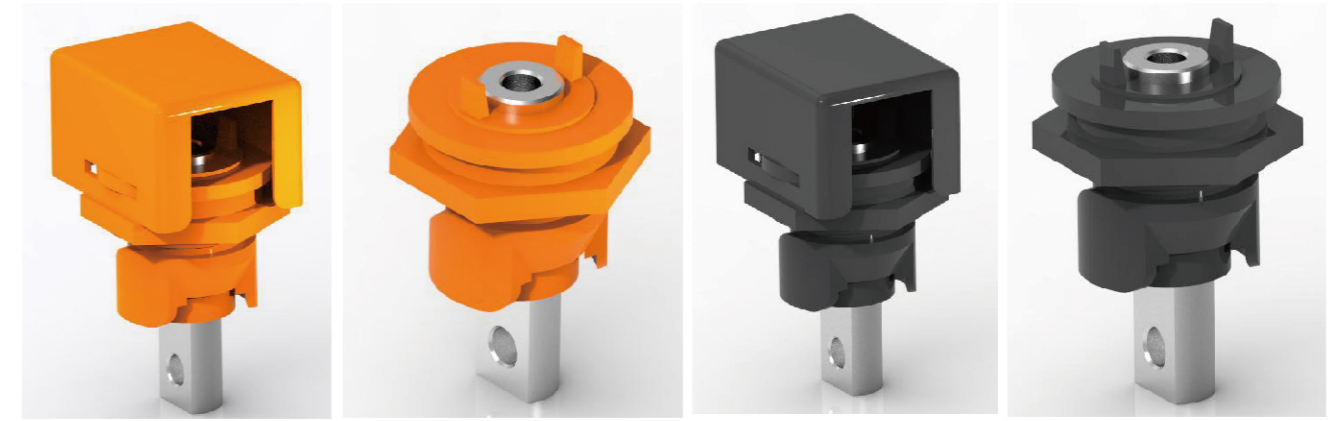


DCN 10.0mm Energy Storage High Voltage Connector Socket Dimensions



Socket Installation:

FTB 80A Energy Storage Wiring Connector



The 80A wiring connector is suitable for the energy storage industry, providing stable high voltage and high current transmission between devices; there are distinctions between positive and negative poles, the housing color for the positive pole is orange, and the negative pole is black; terminals can be expanded to include stud, through-hole, threaded hole, and so on, making it easy for customers to install;

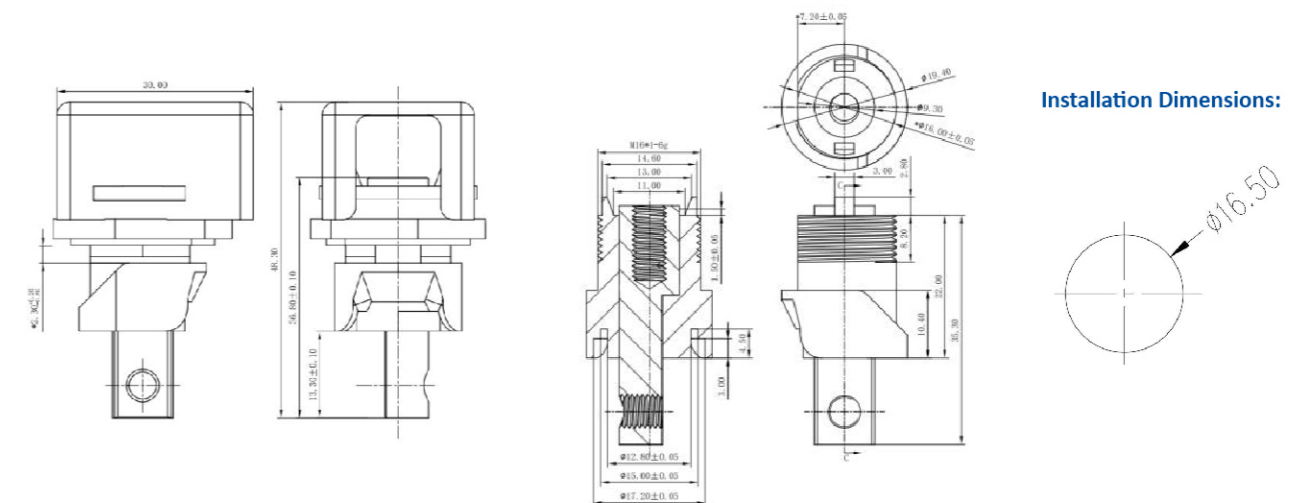
Features

- Protection Level IP54;
- Optional colors for positive and negative poles;
- Optional tail connection methods of 180° or 90°;
- Optional protective cover;
- Single-hole installation, compact size.

Product Performance	
Rated Current	80A
Rated Voltage	300V DC
Voltage Resistance	2,500V AC
Insulation Resistance	≥1,000MΩ (DC1,500V)
Salt Spray	48 Hours
Protection Level	IP54
Operating Temperature	-40°C to 125°C
Contact Components	Copper Alloy
Flame Retardant Rating	UL94V0

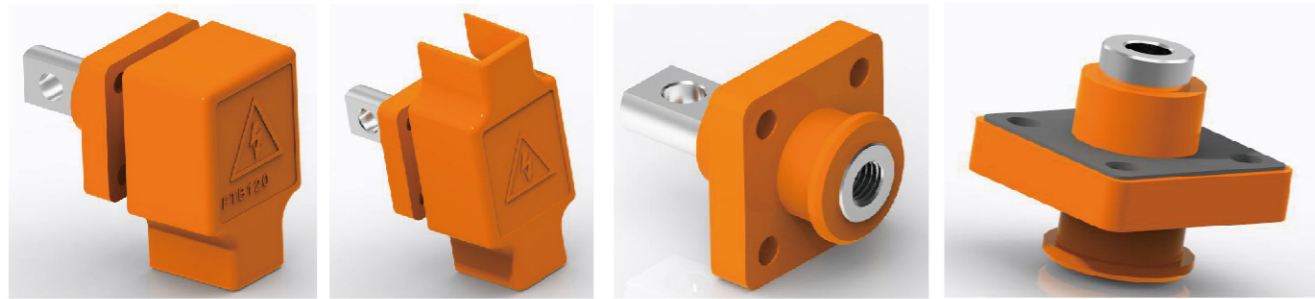
Product Selection Table:

Model No.	P/N	Material Name	Color	Compatible Cables/Copper Busbars	Notes
1	FTB80-05-M5-C-OR	80A Copper Busbar Hole Left	Orange	Copper Busbar (M5 Screw Hole)	
2	FTB80-05-M5-BK	80A Copper Busbar Hole Right	Black	Copper Busbar (M5 Screw Hole)	



Installation Dimensions:

FTB 120A Energy Storage Wiring Connector



The 120A wiring connector is suitable for the energy storage industry, providing stable high voltage and high current transmission between devices; there are distinctions between positive and negative poles, the housing color for the positive pole is orange, and the negative pole is black; terminals can be expanded to include stud, through-hole, threaded hole, and so on, making it easy for customers to install;

Features

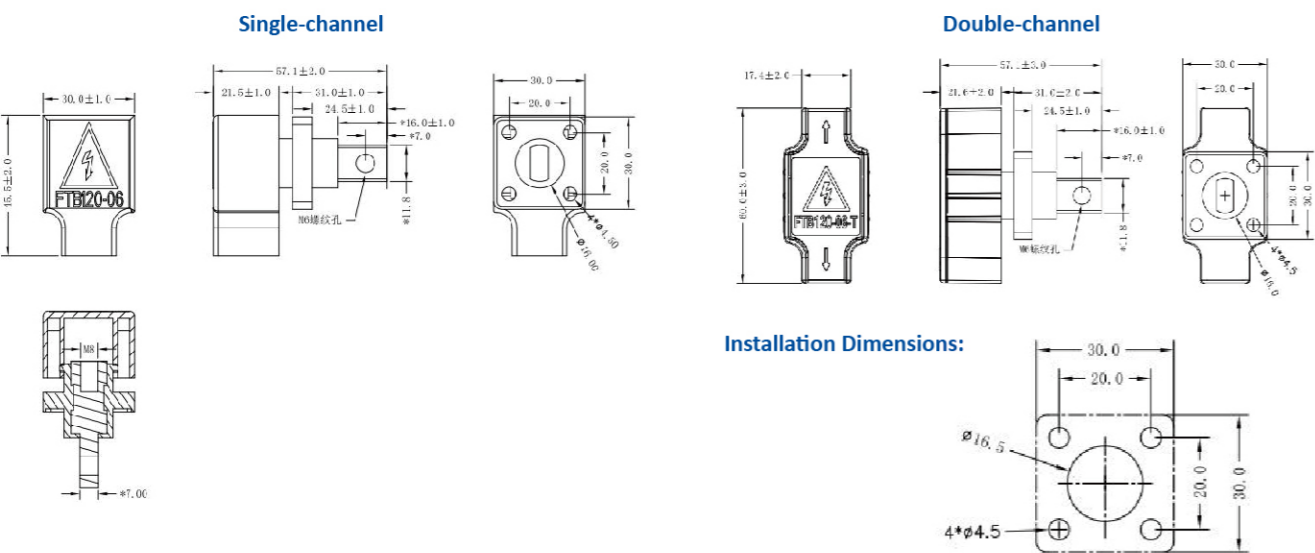
- Protection level IP67 (Single-end installation state);
- Optional colors for positive and negative poles;
- Optional tail connection methods of 180° or 90°;
- Optional single-channel/double-channel protective cover;
- 4-hole installation dimensions.

Product Performance	
Rated Current	120A
Rated Voltage	300V DC
Voltage Resistance	3,000V AC
Insulation Resistance	≥1,000MΩ (DC1,500V)
Salt Spray	48 Hours
Protection Level	IP67 (Single-end installation state)
Operating Temperature	-40°C to 125°C
Contact Components	Copper Alloy
Flame Retardant Rating	UL94V0

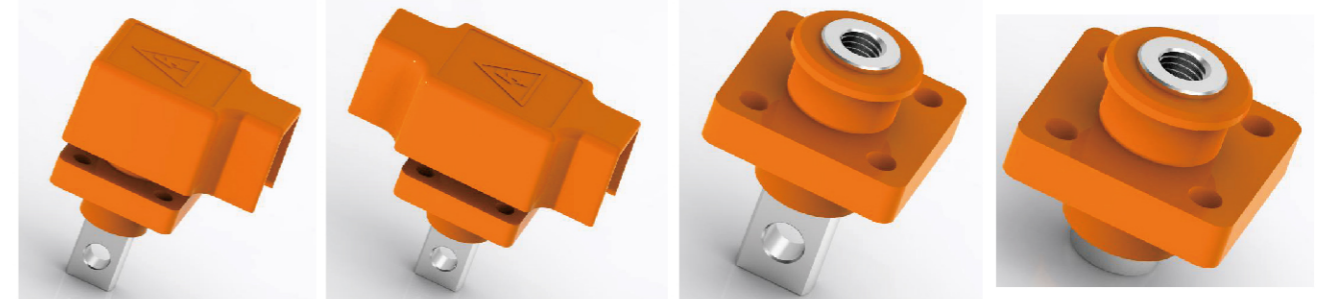
Product Selection Table:

Model No.	P/N	Material Name	Color	Compatible Cables/Copper Busbars	Notes
1	FTB120-06-M6-C	120A Single-channel Copper Busbar Hole	Red, Black, Orange	Copper Busbar (M6 Screw Hole)	
2	FTB120-06-M6-TWIN-C	120A Double-channel Copper Busbar Hole	Red, Black, Orange	Copper Busbar (M6 Screw Hole)	

Model No.	P/N	Material Name	Color	Compatible Cables/Copper Busbars	Notes
1	FTB120-10-M6-C	120A Single-channel Stud Hole	Red, Black, Orange	Stud Hole (M6 Threaded Hole)	
2	FTB120-06-M6-TWIN-C	120A Double-channel Stud Hole	Red, Black, Orange	Stud Hole (M6 Threaded Hole)	



FTB 200A Energy Storage Wiring Connector



The 200A wiring connector is suitable for the energy storage industry, providing stable high voltage and high current transmission between devices; there are distinctions between positive and negative poles, the housing color for the positive pole is orange, and the negative pole is black; terminals can be expanded to include stud, through-hole, threaded hole, and so on, making it easy for customers to install;

Features

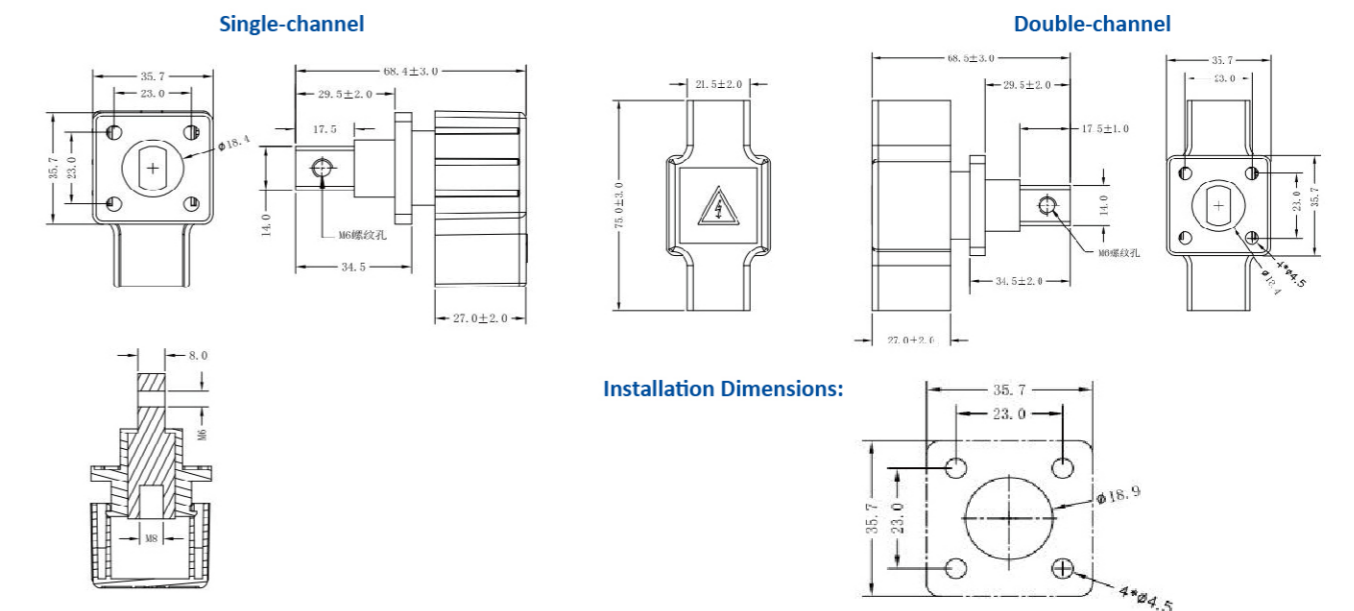
- Protection level IP67 (Single-end installation state);
- Optional colors for positive and negative poles;
- Optional tail connection methods of 180° or 90°;
- Optional single-channel/double-channel protective cover;
- 4-hole installation dimensions.

Product Performance	
Rated Current	200A
Rated Voltage	1,000V DC
Voltage Resistance	3,000V AC
Insulation Resistance	≥1,000MΩ (DC1,500V)
Salt Spray	48 Hours
Protection Level	IP67 (Single-end installation state)
Operating Temperature	-40°C to 125°C
Contact Components	Copper Alloy
Flame Retardant Rating	UL94V0

Product Selection Table:

Model No.	P/N	Material Name	Color	Compatible Cables/Copper Busbars	Notes
1	FTB200-15-M8-C	200A Single-channel Copper Busbar Hole	Red, Black, Orange	Copper Busbar (M8 Screw Hole)	
2	FTB200-15-M8-TWIN-C	200A Double-channel Copper Busbar Hole	Red, Black, Orange	Copper Busbar (M8 Screw Hole)	

Model No.	P/N	Material Name	Color	Compatible Cables/Copper Busbars	Notes
1	FTB200-16-M8-C	200A Single-channel Stud Hole	Red, Black, Orange	Stud Hole (M8 Threaded Hole)	
2	FTB200-16-M8-TWIN-C	200A Double-channel Stud Hole	Red, Black, Orange	Stud Hole (M8 Threaded Hole)	



FTB 250A Energy Storage Wiring Connector



The 250A wiring connector is suitable for the energy storage industry, providing stable high voltage and high current transmission between devices; there are distinctions between positive and negative poles, the housing color for the positive pole is orange, and the negative pole is black; terminals can be expanded to include stud, through-hole, threaded hole, and so on, making it easy for customers to install;

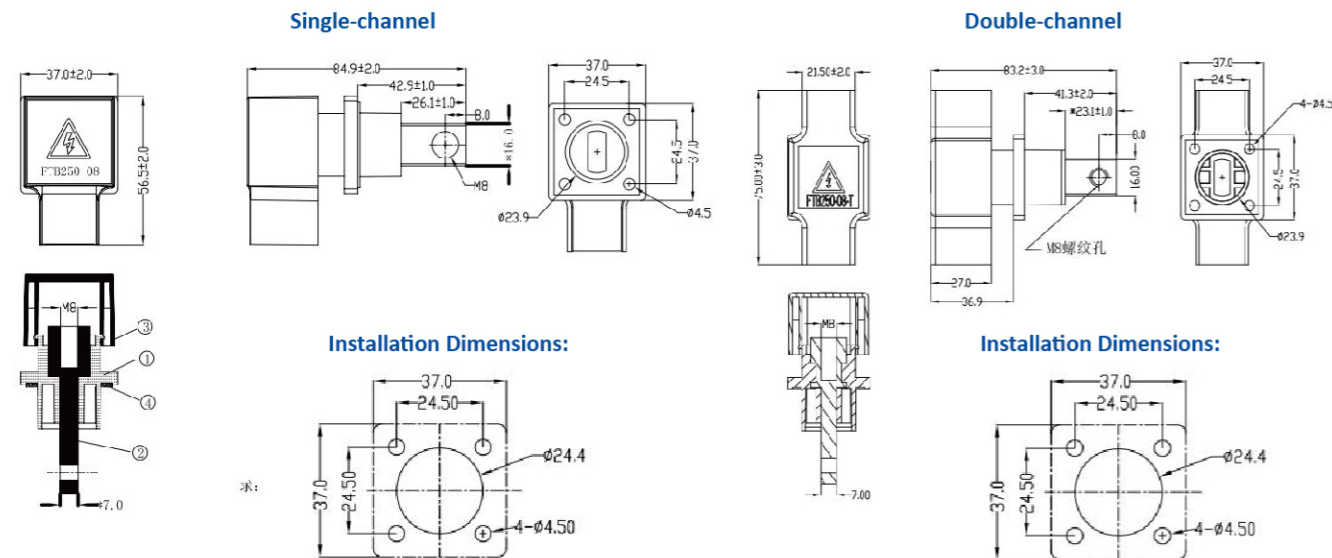
Features

- Protection level IP67 (Single-end installation state);
- Optional colors for positive and negative poles;
- Optional tail connection methods of 180° or 90°;
- Optional single-channel/double-channel protective cover;
- 4-hole installation dimensions.

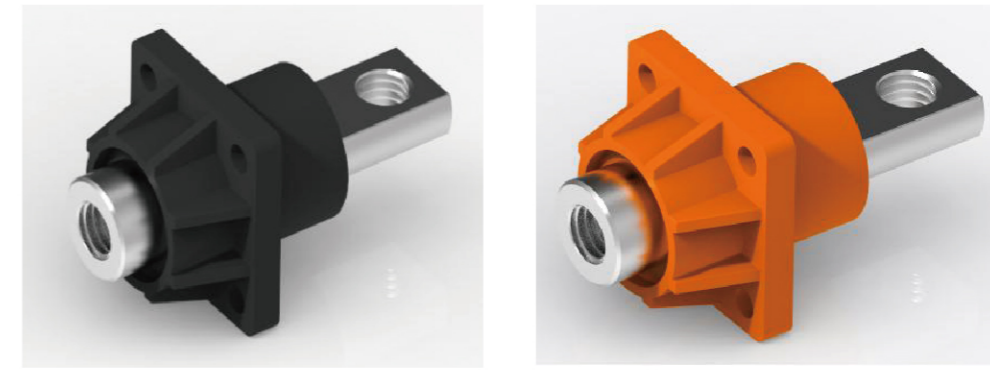
Product Performance	
Rated Current	250A
Rated Voltage	1,000V DC
Voltage Resistance	3,000V AC
Insulation Resistance	≥1,000MΩ (DC1,500V)
Salt Spray	48 Hours
Protection Level	IP67 (Single-end installation state)
Operating Temperature	-40°C to 125°C
Contact Components	Copper Alloy
Flame Retardant Rating	UL94V0

Product Selection Table:

Model No.	P/N	Material Name	Color	Compatible Cables/Copper Busbars	Notes
1	FTB250-08-M8-C	250A Single-channel Copper Busbar Hole	Red, Black, Orange	Copper Busbar (M8 Screw Hole)	
2	FTB250-08-M8-TWIN-C	250A Double-channel Copper Busbar Hole	Red, Black, Orange	Copper Busbar (M8 Screw Hole)	



FTB 250A Energy Storage Wiring Connector



The 250A wiring connector is suitable for the energy storage industry, providing stable high voltage and high current transmission between devices; there are distinctions between positive and negative poles, the housing color for the positive pole is orange, and the negative pole is black; terminals can be expanded to include stud, through-hole, threaded hole, and so on, making it easy for customers to install;

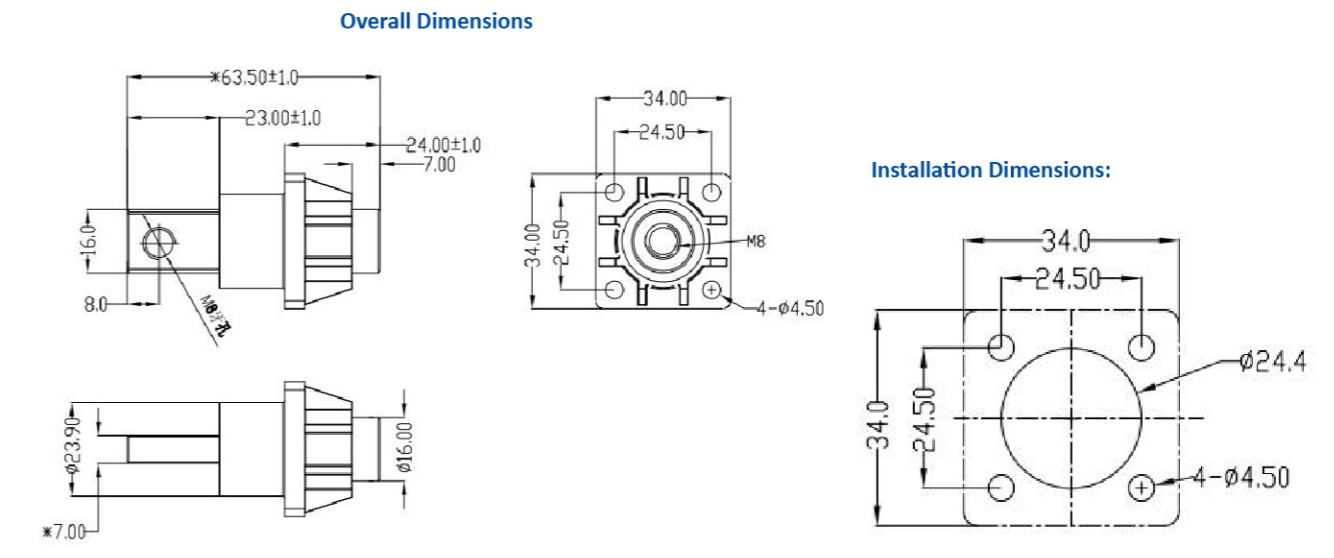
Features

- Optional colors for positive and negative poles;
- Tail connection method with copper busbar optional;
- 4-hole installation dimensions.

Product Performance	
Rated Current	250A
Rated Voltage	1,500V DC
Voltage Resistance	5,000V AC
Insulation Resistance	≥1,000MΩ (DC1,500V)
Salt Spray	48 Hours
Protection Level	IP67 (Single-end installation state)
Operating Temperature	-40°C to 125°C
Contact Components	Copper Alloy
Flame Retardant Rating	UL94V0

Product Selection Table:

Model No.	P/N	Material Name	Color	Compatible Cables/Copper Busbars	Notes
1	FTB250-06-M8	250A Copper Busbar Hole	Red, Black, Orange	Copper Busbar (M8 Screw Hole)	



FTB 120A Energy Storage Wiring Connector (4-in-1 Cover)



Single-channel Transparent Cover

Double-channel Transparent Cover

U-shaped Cover

Round Cover

The 120A wiring connector is suitable for the energy storage industry, providing stable high voltage and high current transmission between devices; there are distinctions between positive and negative poles, the housing color for the positive pole is orange, and the negative pole is black; terminals can be expanded to include stud, through-hole, threaded hole, and so on, making it easy for customers to install;

Features

- Protection level IP67 (Single-end installation state);
- Optional colors for positive and negative poles; 4-in-1 cover, four types of covers available for customer selection, meeting different customer scenario needs.
- Optional tail connection methods of 180° or 90°;
- Optional single-channel/double-channel protective cover;
- 4-hole installation dimensions.

Product Performance	
Rated Current	120A
Rated Voltage	1,000V DC
Voltage Resistance	3,000V AC
Insulation Resistance	≥1,000MΩ (DC500V)
Salt Spray	48 Hours
Protection Level	IP67 (Single-end installation state)
Operating Temperature	-40°C to 125°C
Contact Components	Copper Alloy
Flame Retardant Rating	UL94V0

Product Selection Table:

Single-channel Transparent

Model No.	P/N	Material Name	Color	Compatible Cables/Copper Busbars	Notes
1	FTB120-19-M6-CD	120A Single-channel Cover	Transparent	Copper Busbar (M6 Screw Hole)	
2	FTB120-20-M6-CD	120A Single-channel Cover	Transparent	Internal Thread (M6 Threaded Hole)	

U-shaped Cover

Model No.	P/N	Material Name	Color	Compatible Cables/Copper Busbars	Notes
3	FTB120-19-M6-CU	120A U-shaped Cover	Red, Black, Orange	Copper Busbar (M6 Screw Hole)	
4	FTB120-20-M6-CU	120A U-shaped Cover	Red, Black, Orange	Internal Thread (M6 Threaded Hole)	

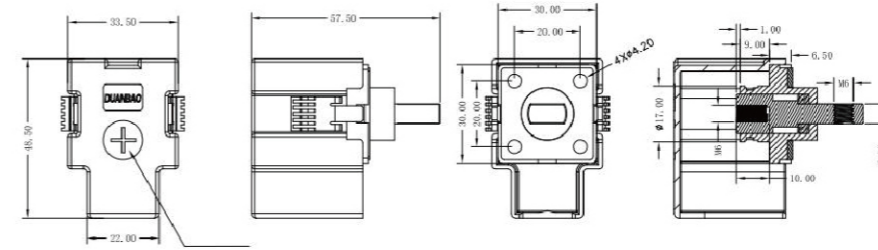
Round Cover

Model No.	P/N	Material Name	Color	Compatible Cables/Copper Busbars	Notes
5	FTB120-19-M6-CO	120A Single-channel Cover	Red, Black, Orange	Copper Busbar (M6 Screw Hole)	
6	FTB120-20-M8-CO	120A Single-channel Cover	Red, Black, Orange	Internal Thread (M6 Threaded Hole)	

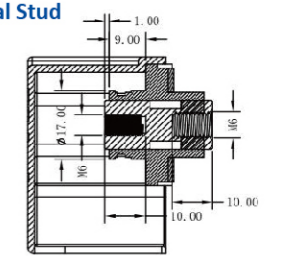
Single-channel Transparent Cover

Model No.	P/N	Material Name	Color	Compatible Cables/Copper Busbars	Notes
7	FTB120-19-M6-CS	120A Double-channel Cover	Transparent	Copper Busbar (M6 Screw Hole)	
8	FTB120-19-M6-CS	120A Double-channel Cover	Transparent	Internal Thread (M6 Threaded Hole)	

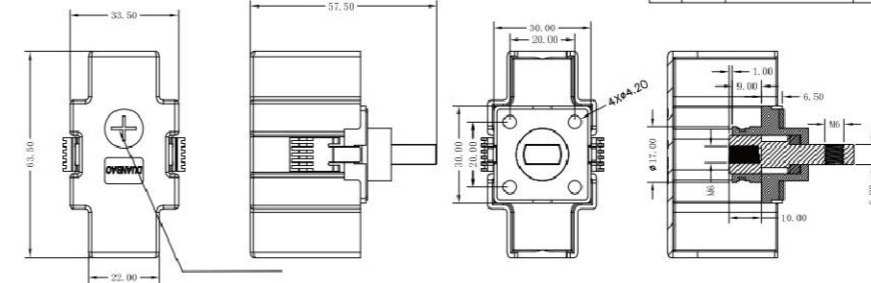
Single-channel Transparent Cover (Busbar)



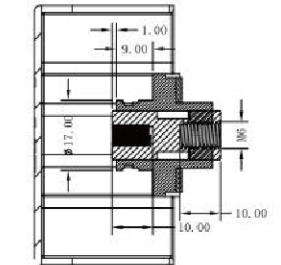
Internal Stud



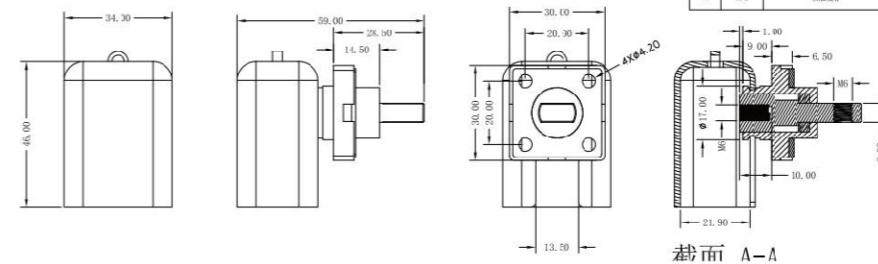
Double-channel Transparent Cover (Busbar)



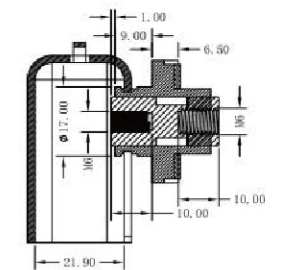
Internal Stud



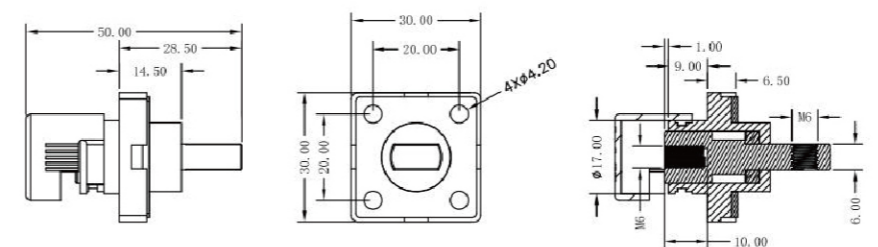
U-shaped Cover (Busbar)



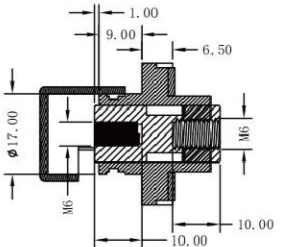
Internal Stud



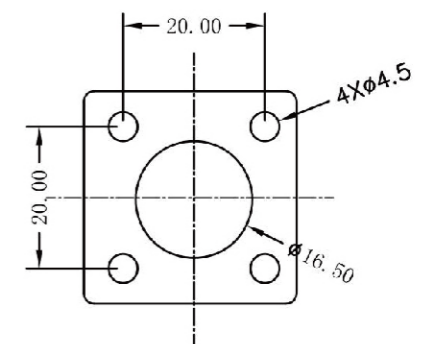
Round Cover (Busbar)



Internal Stud



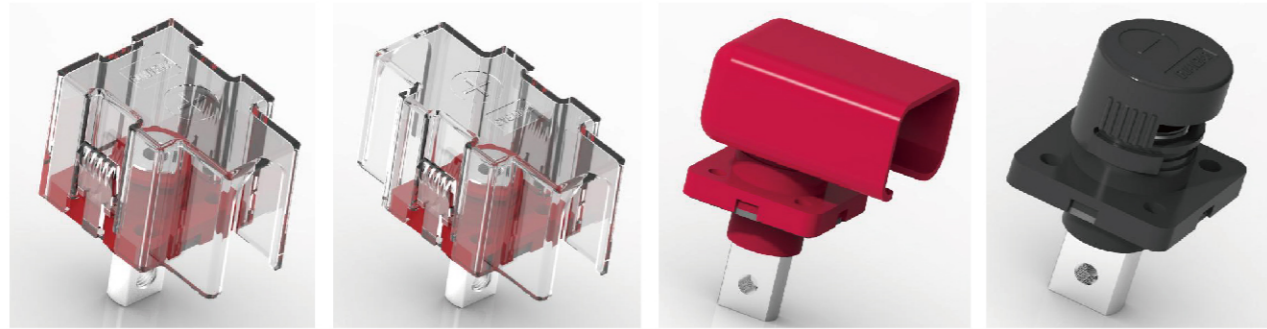
Installation Dimensions:



FTB 200A Energy Storage Wiring Connector (4-in-1 Cover)

FTB 200A Energy Storage Wiring Connector

FTB 200A Energy Storage Wiring Connector



Single-channel Transparent Cover

Double-channel Transparent Cover

U-shaped Cover

Round Cover

The 200A wiring connector is suitable for the energy storage industry, providing stable high voltage and high current transmission between devices; there are distinctions between positive and negative poles, the housing color for the positive pole is orange, and the negative pole is black; terminals can be expanded to include stud, through-hole, threaded hole, and so on, making it easy for customers to install;

Features

- Protection level IP67 (Single-end installation state);
- Optional colors for positive and negative poles; 4-in-1 cover, four types of covers available for customer selection, meeting different customer scenario needs.
- Optional tail connection methods of 180° or 90°;
- Optional single-channel/double-channel protective cover;
- 4-hole installation dimensions.

Product Performance	
Rated Current	200A
Rated Voltage	1,000V DC
Voltage Resistance	3,000V AC
Insulation Resistance	≥1,000MΩ (DC500V)
Salt Spray	48 Hours
Protection Level	IP67 (Single-end installation state)
Operating Temperature	-40°C to 125°C
Contact Components	Copper Alloy
Flame Retardant Rating	UL94V0

Product Selection Table:

Round Cover

Model No.	P/N	Material Name	Color	Compatible Cables/Copper Busbars	Notes
1	FTB200-06-M8-C	200A Round Cover	Red, Black, Orange	Copper Busbar (M8 Screw Hole)	
2	FTB200-07-M8-C	200A Round Cover	Red, Black, Orange	Internal Thread (M8 Threaded Hole)	
3	FTB200-08-M8-C	200A Round Cover	Red, Black, Orange	External Thread (M8 Screw Hole)	

U-shaped Cover

Model No.	P/N	Material Name	Color	Compatible Cables/Copper Busbars	Notes
1	FTB200-09-M8-C	200A U-shaped Cover	Red, Black, Orange	Copper Busbar (M8 Screw Hole)	
2	FTB200-10-M8-C	200A U-shaped Cover	Red, Black, Orange	Internal Thread (M8 Threaded Hole)	
3	FTB200-11-M8-C	200A U-shaped Cover	Red, Black, Orange	External Thread (M8 Screw Hole)	

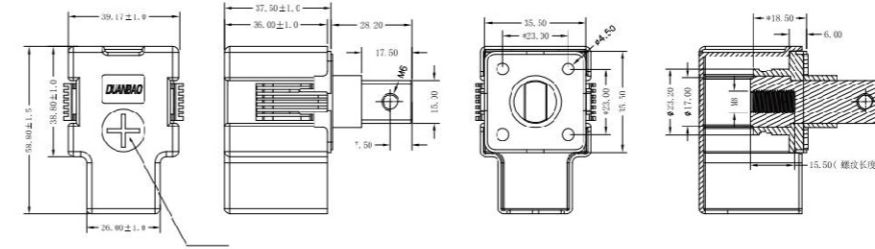
Single-channel Transparent Cover

Model No.	P/N	Material Name	Color	Compatible Cables/Copper Busbars	Notes
1	FTB200-13-M8-C	200A Single-channel Cover	Transparent	Copper Busbar (M8 Screw Hole)	
2	FTB200-14-M8-C	200A Single-channel Cover	Transparent	Internal Thread (M8 Threaded Hole)	
3	FTB200-17-M8-C	200A Single-channel Cover	Transparent	External Thread (M8 Screw Hole)	

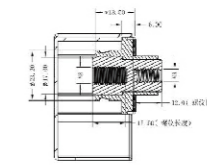
Double-channel Transparent Cover

Model No.	P/N	Material Name	Color	Compatible Cables/Copper Busbars	Notes
1	FTB200-13-M8-TWIN-C	200A Double-channel Cover	Transparent	Copper Busbar (M8 Screw Hole)	
2	FTB200-14-M8-TWIN-C	200A Double-channel Cover	Transparent	Internal Thread (M8 Threaded Hole)	
3	FTB200-17-M8-TWIN-C	200A Double-channel Cover	Transparent	External Thread (M8 Screw Hole)	

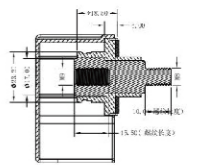
Single-channel Transparent Cover (Busbar)



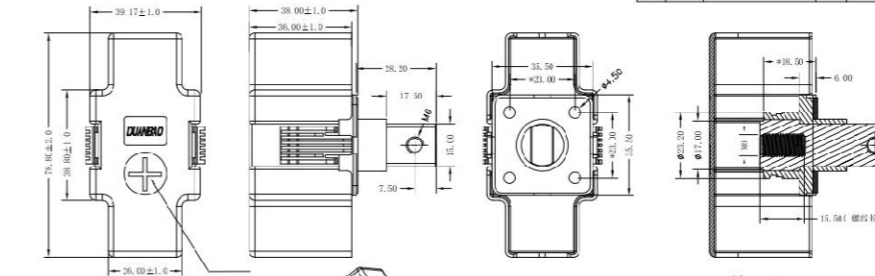
Internal Stud



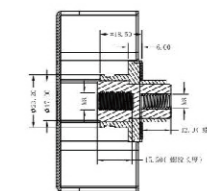
External Stud



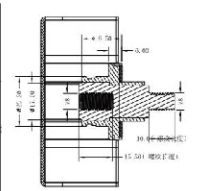
Double-channel Transparent Cover (Busbar)



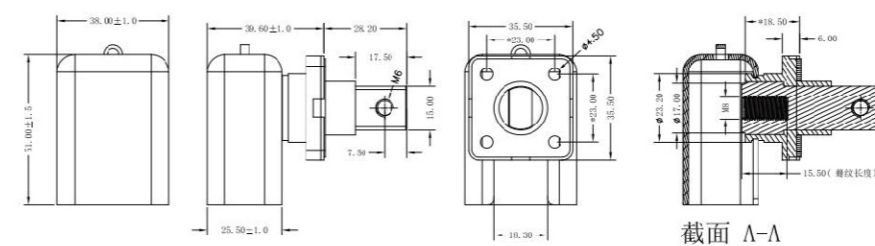
Internal Stud



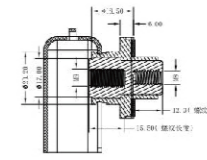
External Stud



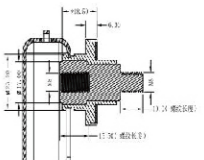
U-shaped Cover (Busbar)



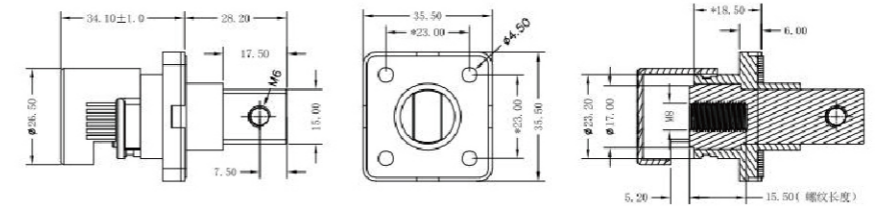
Internal Stud



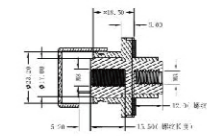
External Stud



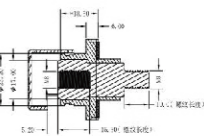
Round Cover (Busbar)



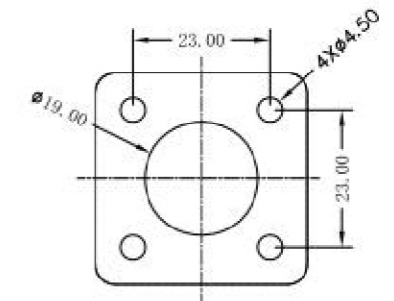
Internal Stud



External Stud



Installation Dimensions:



FTB 400A Energy Storage Wiring Connector



The 400A wiring connector is suitable for the energy storage industry, providing stable high voltage and high current transmission between devices; there are positive and negative poles, with the positive pole housing colored orange and the negative pole black; terminals can be expanded to include through-hole, threaded hole, and so on, facilitating customer installation;

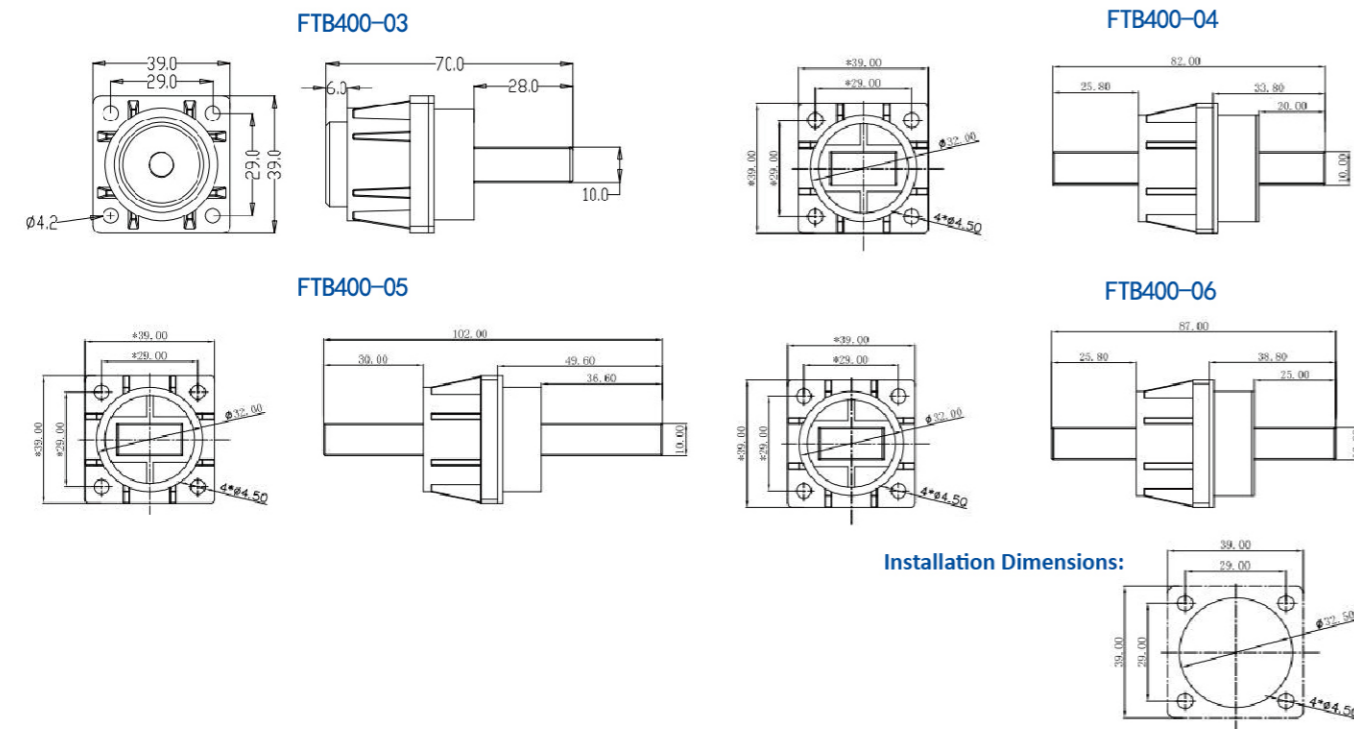
Features

- Protection level IP54 (Single-end installation state);
- Positive and negative pole colors are optional; copper busbar length can be selected, meeting different customer scenario needs.
- Optional tail connection methods of 180° or 90°;

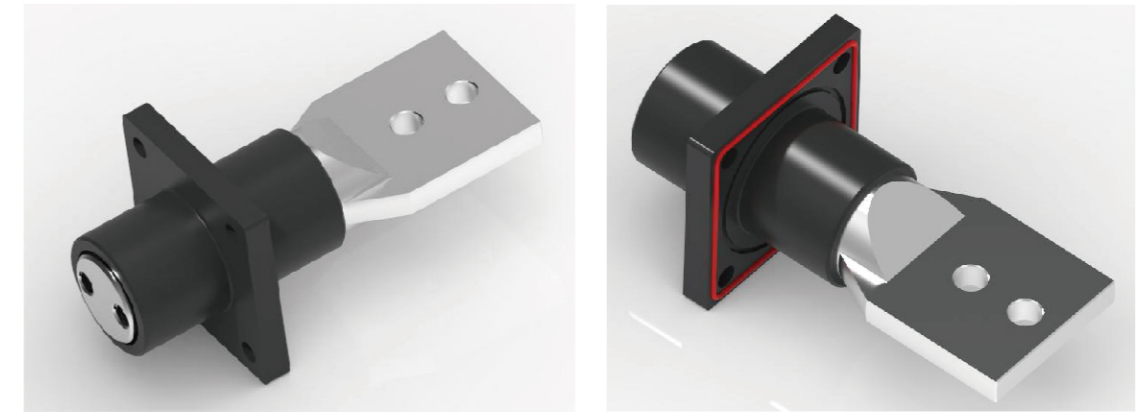
Product Performance	
Rated Current	400A
Rated Voltage	1,500V DC
Voltage Resistance	6,000V AC
Insulation Resistance	≥1,000MΩ (DC500V)
Salt Spray	48 Hours
Protection Level	IP54 (Single-end installation state)
Operating Temperature	-40°C to 125°C
Contact Components	Copper Alloy
Flame Retardant Rating	UL94V0

Product Selection Table:

Model No.	P/N	Material Name	Color	Compatible Cables /Copper Busbars	Notes
1	FTB400-03-M8	400A Front Internal Thread Rear Copper Busbar	Black, Orange	(M8 Screw Hole)	
2	FTB400-04-M8	400A Front and Rear Copper Busbar Thread	Black, Orange	(M8 Screw Hole)	
3	FTB400-05-M8	400A Front Copper Busbar Thread Rear Through-hole	Black, Orange	(M8 Screw Hole)	
4	FTB400-06-M8	400A Front and Rear Copper Busbar Thread	Black, Orange	(M8 Screw Hole)	



FTB 1,000A Two-hole Wall Passthrough Connector



The 1,000A two-hole wall passthrough connector is suitable for energy storage industry, providing stable high voltage and high current transmission between devices; terminals can be expanded to include through-holes, threaded holes, etc., to facilitate customer installation;

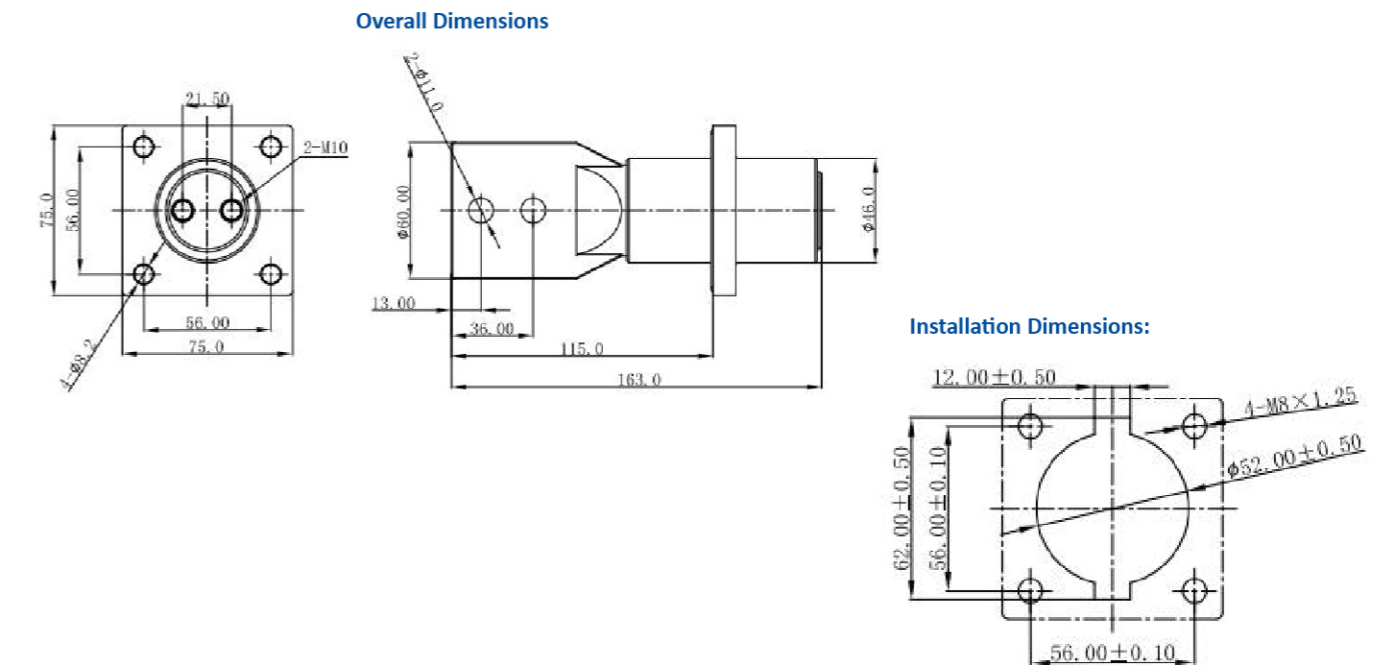
Features

- Protection level IP54 (Single-end installation state);
- Copper busbar threaded holes can be selected as single-hole or double-hole, providing convenience for customer choice.

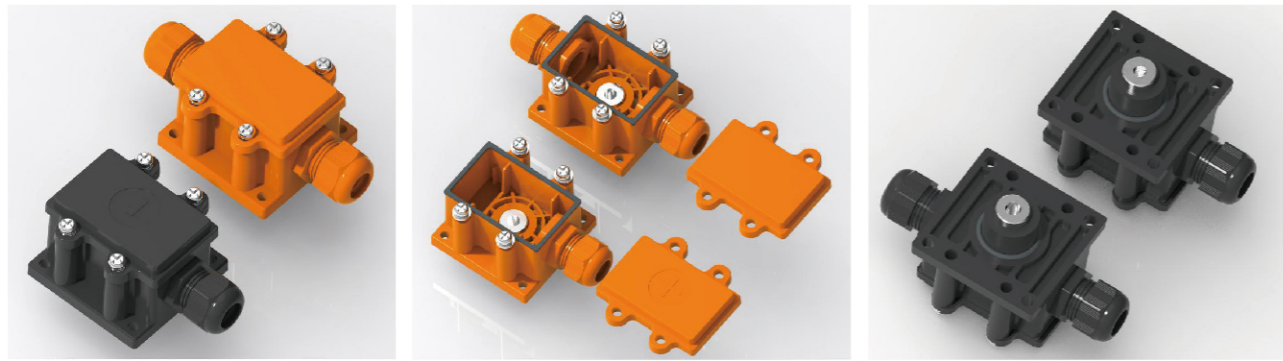
Product Performance	
Rated Current	1,000A
Rated Voltage	1,500V DC
Voltage Resistance	5,000V AC
Insulation Resistance	≥1,000MΩ (DC500V)
Salt Spray	48 Hours
Protection Level	IP54 (Single-end installation state)
Operating Temperature	-40°C to 125°C
Contact Components	Red Copper
Flame Retardant Rating	UL94V0

Product Selection Table:

Model No.	P/N	Material Name	Color	Compatible Cables/Copper Busbars	Notes
1	FTB1000-01-M10-02	1000A Front Internal Thread Rear Copper Busbar	Black	(M10 Screw Hole)	



PG-FTB 150A Energy-storage & Waterproof Junction Box



The 150A waterproof junction box is suitable for energy storage industry, providing stable high voltage and high current transmission between devices; there are distinctions between positive and negative poles, with the positive pole housing colored orange and the negative pole black; terminals can be expanded to include through-holes, threaded holes, etc., to facilitate customer installation;

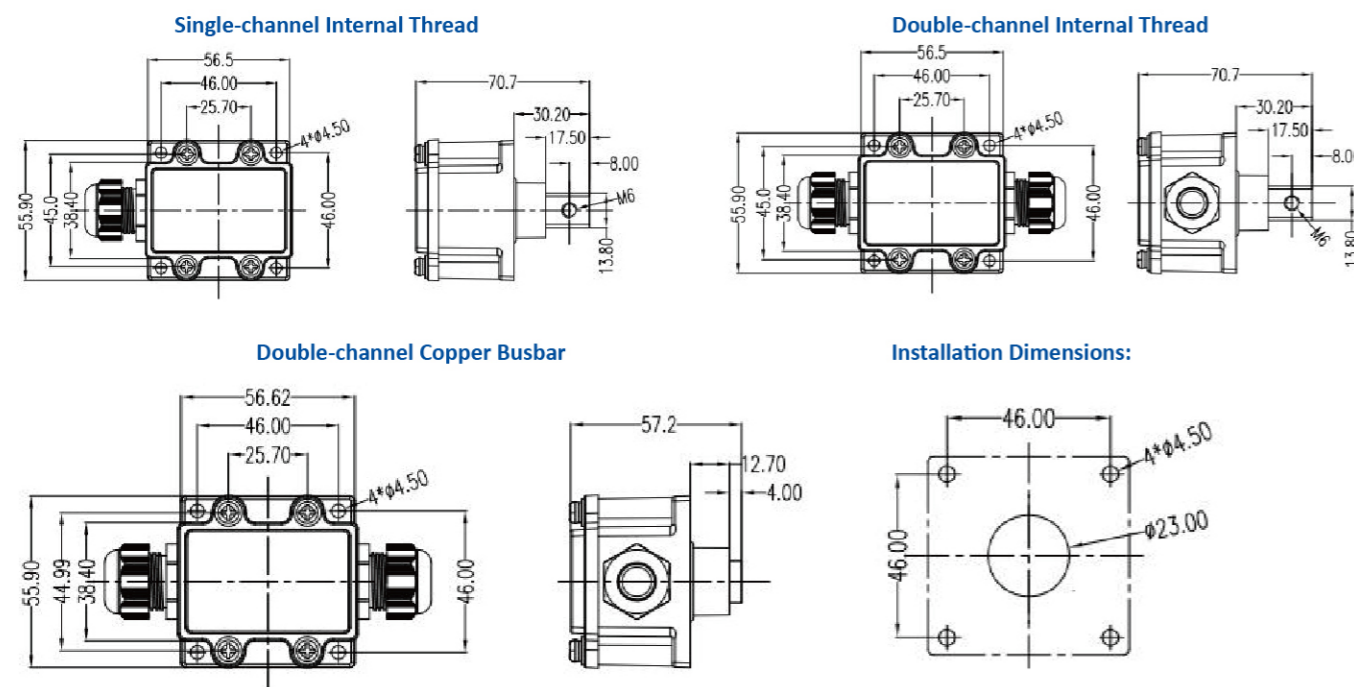
Features

- Protection Level IP67;
- Positive and negative pole colors are optional;
- Single-channel and double-channel options available to meet different customer usage scenarios.
- Tail connection method options of 180°, 90° available;

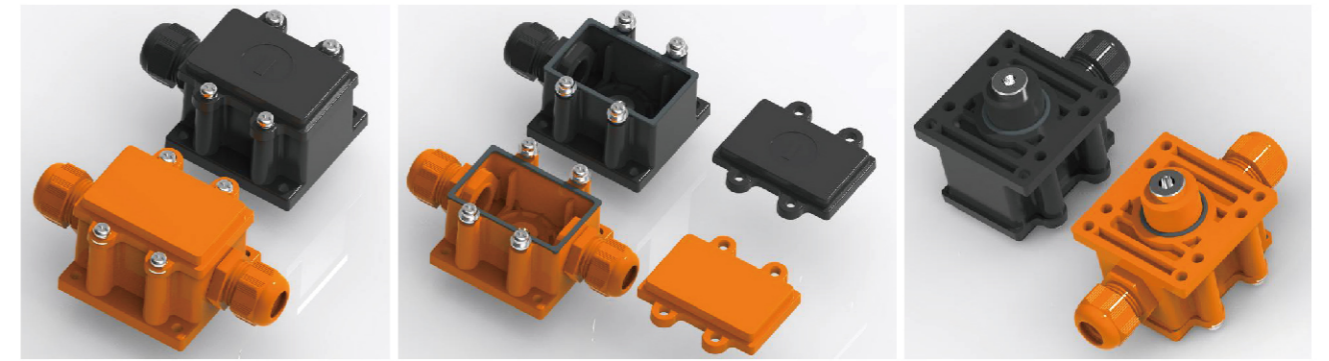
Product Performance	
Rated Current	150A
Rated Voltage	1,500V DC
Voltage Resistance	6,000V AC
Insulation Resistance	≥1,000MΩ(DC500V)
Salt Spray	48 Hours
Protection Level	IP67
Operating Temperature	-40°C to 125°C
Contact Components	Copper Alloy
Flame Retardant Rating	UL94V0

Product Selection Table:

Model No.	P/N	Material Name	Color	Compatible Cables /Copper Busbars	Notes
1	PG-FTB150-18-M6-C	150A Single-channel Internal Thread	Black, Orange	(M6 Screw Hole)	
2	PG-FTB150-18-M6-TWIN-C	150A Double-channel Internal Thread	Black, Orange	(M6 Screw Hole)	
3	PG-FTB150-19-M6-C	150A Single-channel Copper Busbar Thread	Black, Orange	(M6 Screw Hole)	
4	PG-FTB150-19-M6-TWIN-C	150A Double-channel Copper Busbar Thread	Black, Orange	(M6 Screw Hole)	



FTB 1,000A Two-hole Wall Passthrough Connector



The 300A waterproof junction box is suitable for energy storage industry, providing stable high voltage and high current transmission between devices; there are distinctions between positive and negative poles, with the positive pole housing colored orange and the negative pole black; terminals can be expanded to include through-holes, threaded holes, etc., to facilitate customer installation;

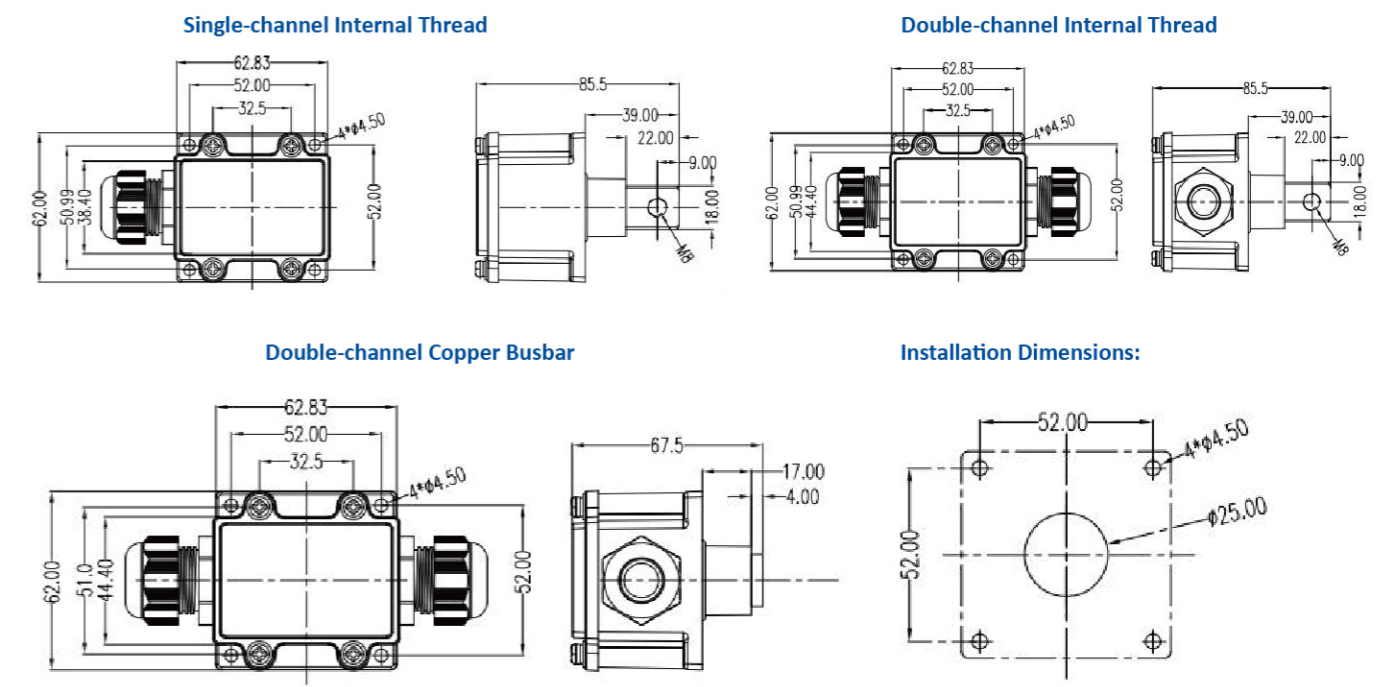
Features

- Protection Level IP67;
- Positive and negative pole colors are optional;
- Single-channel and double-channel options available to meet different customer usage scenarios.
- Tail connection method options of 180°, 90° available

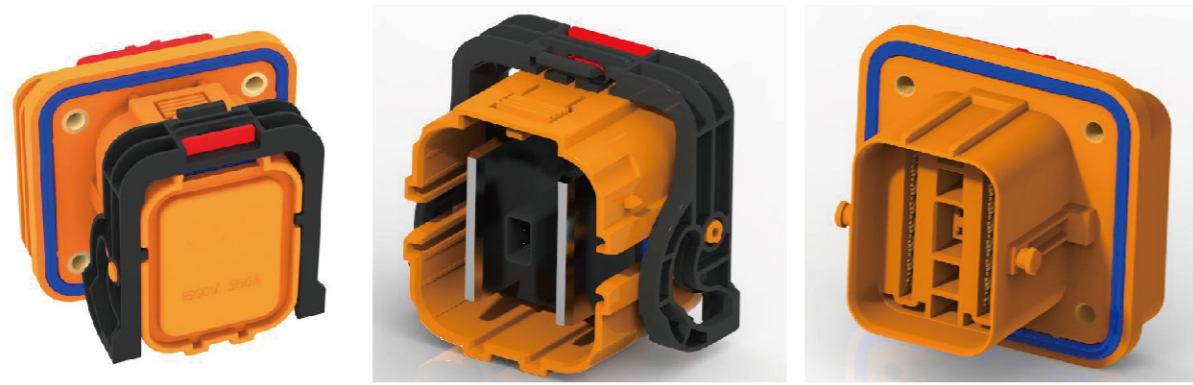
Product Performance	
Rated Current	300A
Rated Voltage	1,500V DC
Voltage Resistance	6,000V AC
Insulation Resistance	≥1,000MΩ(DC500V)
Salt Spray	48 Hours
Protection Level	IP67
Operating Temperature	-40°C to 125°C
Contact Components	Red Copper
Flame Retardant Rating	UL94V0

Product Selection Table:

Model No.	P/N	Material Name	Color	Compatible Cables /Copper Busbars	Notes
1	PG-FTB300-18-M8-C	150A Single-channel Internal Thread	Black, Orange	(M8 Thread)	
2	PG-FTB300-18-M8-TWIN-C	150A Double-channel Internal Thread	Black, Orange	(M8 Screw Hole)	
3	PG-FTB300-19-M8-C	150A Single-channel Copper Busbar Thread	Black, Orange	(M8 Thread)	
4	PG-FTB300-19-M8-TWIN-C	150A Double-channel Copper Busbar Thread	Black, Orange	(M8 Screw Hole)	



MSD 350A Manual Maintenance Switch



The 350A manual maintenance switch is suitable for energy storage industry, intended to protect technicians working on maintenance of electric vehicles in high voltage environments safely or to respond to unexpected events; it allows for quick disconnection of high voltage circuits, making maintenance work safer, such as in external short circuit protection and when high voltage needs to be disconnected during maintenance.

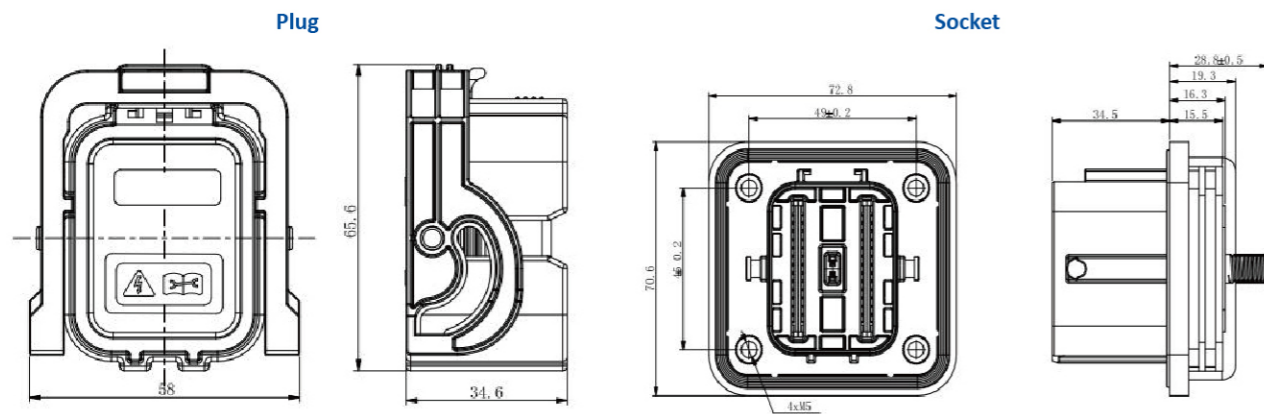
Features

- Protection Level IP67;
- Secondary lock design to prevent safety accidents during use.

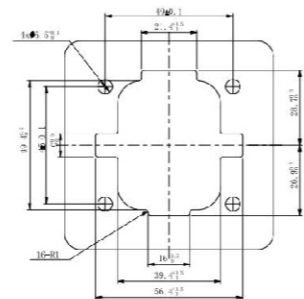
Product Performance	
Rated Current	20~40A
Rated Voltage	1,000V DC
Voltage Resistance	3,000V AC
Insulation Resistance	≥500MΩ(DC500V)
Salt Spray	48 Hours
Protection Level	IP67
Operating Temperature	-40°C to 125°C
Contact Components	Copper Alloy
Flame Retardant Rating	UL94V0

Product Selection Table:

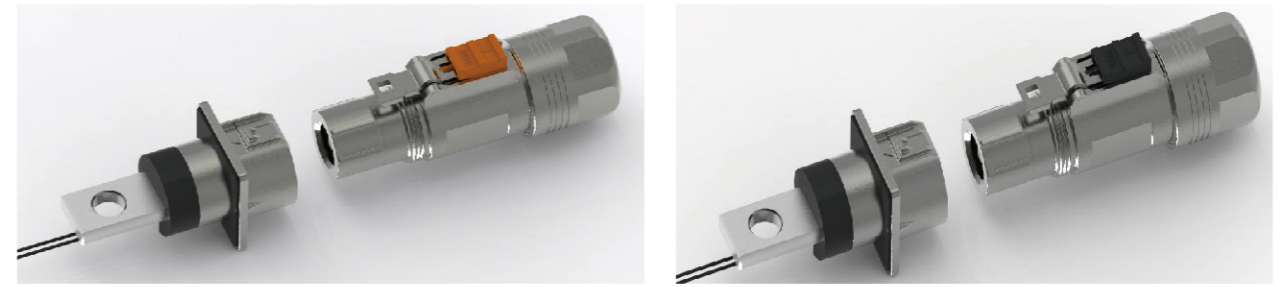
Model No.	P/N	Material Name	Color	Compatible Cables/Copper Busbars	Notes
1	MDS-350-T	MSD 350A Plug	Orange	(M8 Thread)	
2	MSD-350-Z	MSD 350A Socket	Orange	(M8 Screw Hole)	



Installation Dimensions:



PL300A Single-core High-current Connector



The 300A single-core high current connector is suitable for the energy storage and automotive industries, providing stable high voltage and high current transmission between devices; there is a distinction between positive and negative poles, with the latch color for the positive pole being orange and the negative pole black;

Terminals can be expanded to include signal functionality, facilitating customer use.

Features

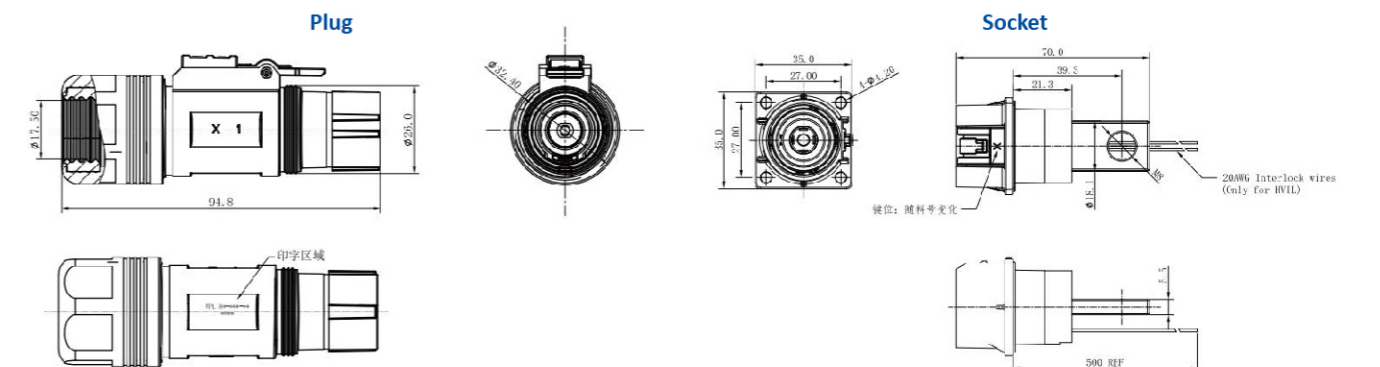
- Metal housing, suitable for harsh environment usage scenarios.
- Protection Level IP67.
- Secondary lock design to prevent safety accidents during use.

Product Performance	
Rated Current	300A
Rated Voltage	1,000V DC
Voltage Resistance	5,000V AC
Insulation Resistance	≥500MΩ(DC500V)
Salt Spray	48 Hours
Protection Level	IP67
Operating Temperature	-40°C to 125°C
Contact Components	Copper Alloy
Flame Retardant Rating	UL94V0

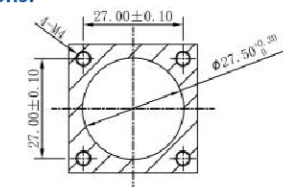
Product Selection Table:

Model No.	P/N	Material Name	Color	Compatible Cables/Copper Busbars	Notes
1	DPL-300-X-C70-T	300A Plug (Positive Pole)	Orange	(70 mm ²)	
2	DPL-300-X-M8-Z	300A Socket (Positive Pole)	Orange	(M8 Screw Hole)	

Model No.	P/N	Material Name	Color	Compatible Cables/Copper Busbars	Notes
3	DPL-300-Y-C70-T	300A Plug (Negative Pole)	Black	(70 mm ²)	
4	DPL-300-Y-M8-Z	300A Socket (Negative Pole)	Black	(M8 Screw Hole)	

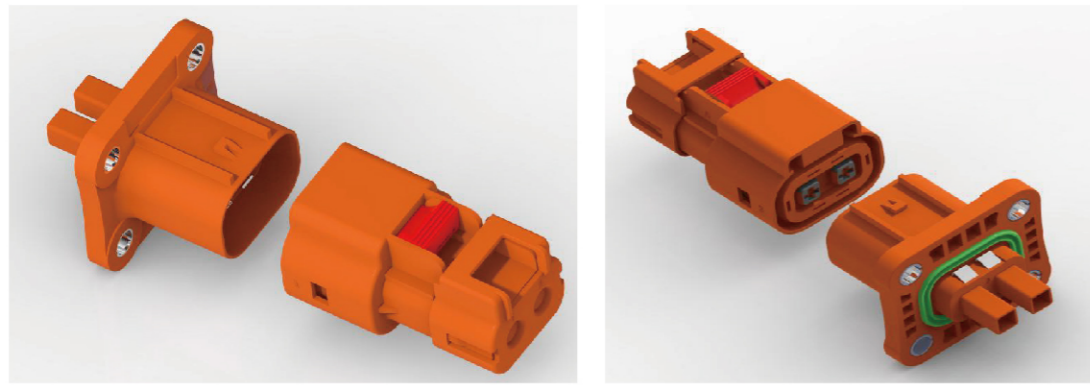


Installation Dimensions:



Recommended Panel Mount Hole Size (Installation Torque: 1.6~2.4 N.m)

280 Two-core High Voltage Connector

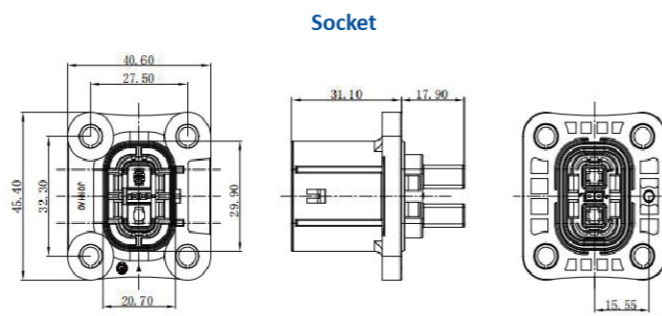
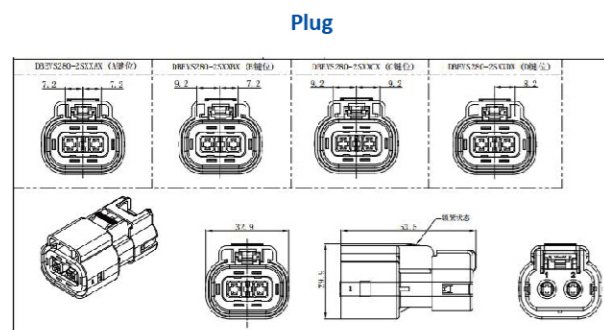
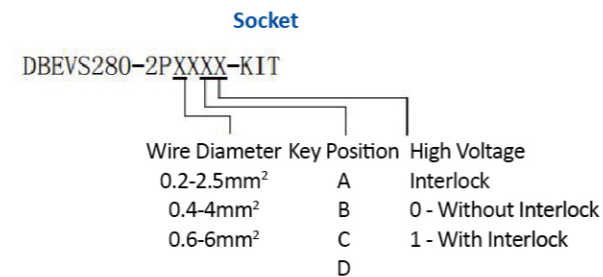
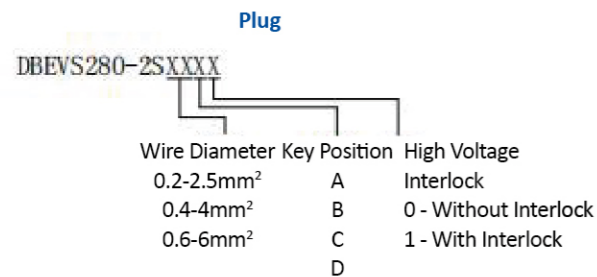


The 280 two-core high voltage connector is suitable for the energy storage and automotive industries, providing stable high voltage and high current transmission between devices;

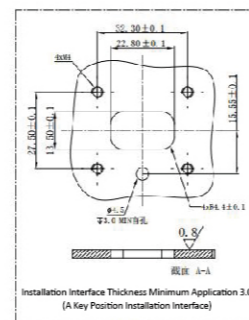
Features

- Multiple key positions available;
- Protection Level IP67;
- Secondary lock design to prevent safety accidents during use.

Product Performance	
Rated Current	20~40A
Rated Voltage	1,000V DC
Voltage Resistance	3,000V AC
Insulation Resistance	≥500MΩ(DC500V)
Salt Spray	48 Hours
Protection Level	IP67
Operating Temperature	-40°C to 125°C
Contact Components	Copper Alloy
Flame Retardant Rating	UL94V0



Installation Dimensions:



50/70 mm² Plastic Integrated Shielding Junction Box



The 50/70 mm² plastic integrated shielding junction box is designed for use in energy storage and electric vehicle systems, providing stable high voltage and high current transmission between devices; there are distinctions between positive and negative poles, with the positive pole housing colored orange and the negative pole black; connections are made through terminal block locking, making installation and later maintenance convenient; after crimping the cable, it is inserted into the connector, facilitating operation and improving efficiency; it eliminates the need for pin contact methods, offering more reliable performance and lower cost than most high current connectors; product terminals have through-holes, threaded holes, etc., facilitating customer installation;

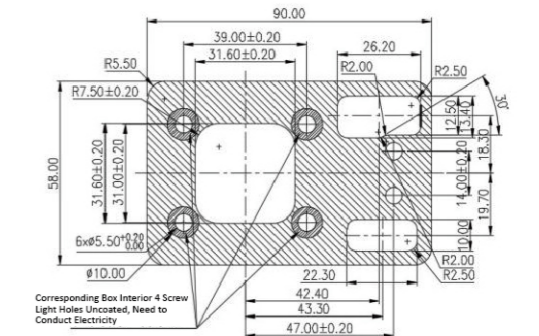
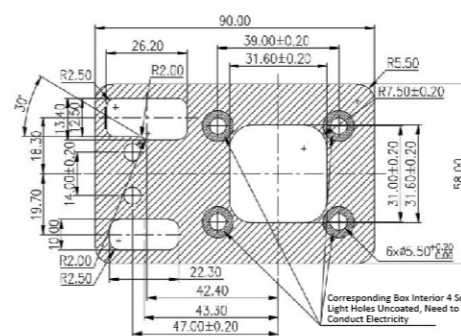
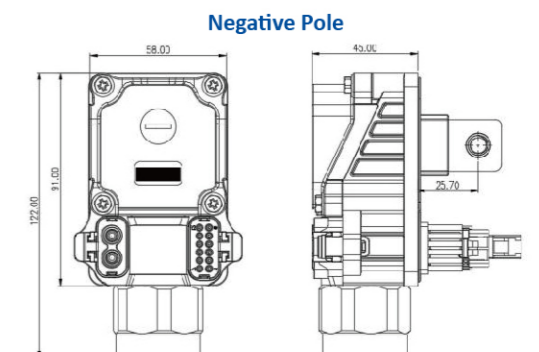
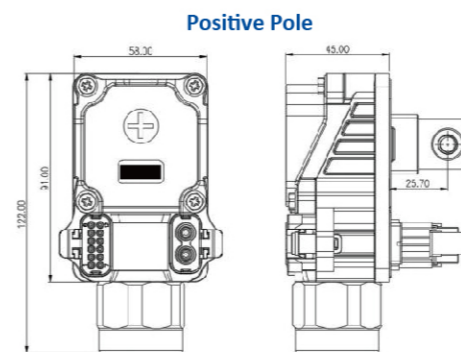
Features

- 12-core signal transmission and 2-core heating signal integrated;
- Sealing IP68;
- Cable can be rear-loaded;
- Positive and negative pole colors optional.

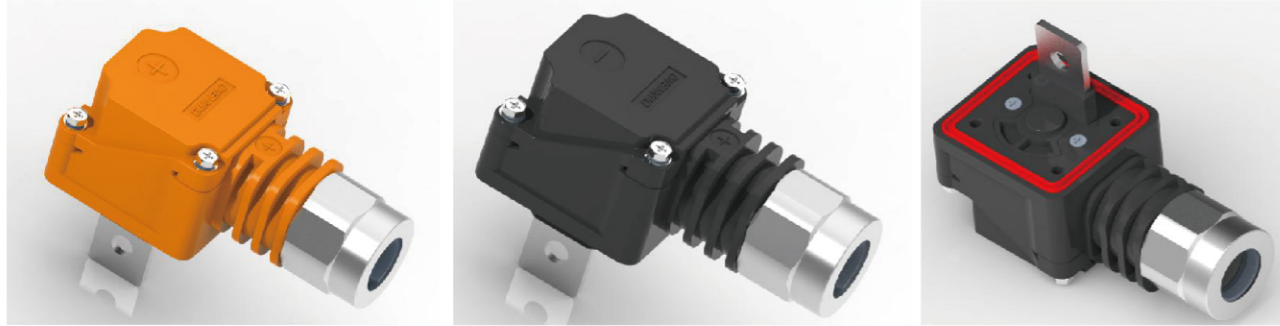
Product Performance	
Durability	50 cycles
Plug-and-play force	-
Wiring Range	50 to 70 mm ² Cable
Rated Current	250A to 300A
Rated Voltage	1,000V DC
Voltage Resistance	3,000V AC
Insulation Resistance	≥500MΩ(DC1000V)
Salt Spray	500 Hours
Protection Level	IP68
Operating Temperature	-40°C to 125°C
Contact Components	Red Copper, Beryllium Copper
Housing	PBT、AL、PA66、PBT, AL, PA66
Flame Retardant Rating	UL94V0

Product Selection Table:

Model No.	P/N	Material Name	Color	Compatible Cables/Copper Busbars	Notes
1	C10-M1319-70LRA	Right Side Positive Pole	Orange	(70 mm ² Cable)	
2	C10-M1320-70RBL	Right Side Negative Pole	Black	(70 mm ² Cable)	
3	C10-M1319-50LRA	Right Side Positive Pole	Orange	(50 mm ² Cable)	
4	C10-M1320-50RBL	Right Side Negative Pole	Black	(50 mm ² Cable)	



50/70 mm² Metal High Voltage Junction Box



The 50/70 mm² metal high voltage junction box is designed for use in energy storage and electric vehicle systems, providing stable high voltage and high current transmission between devices; there is a distinction between positive and negative poles, with the positive pole housing colored orange and the negative pole black; connectors are connected by tightening the terminal blocks, making installation and later maintenance convenient; after crimping the cable, it is inserted into the connector, facilitating operation and improving efficiency; eliminates the need for pin contact methods, offering more reliable performance and is more cost-effective than most high current connectors; product terminals have through-holes, threaded holes, etc., facilitating customer installation.

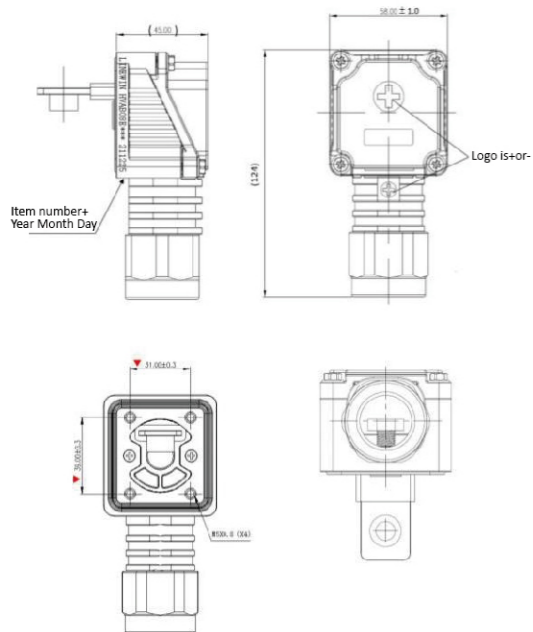
Features

- Metal housing provides good shielding and protection effects;
- Sealing IP68;
- Cable can be rear-loaded;
- Positive and negative pole colors optional.

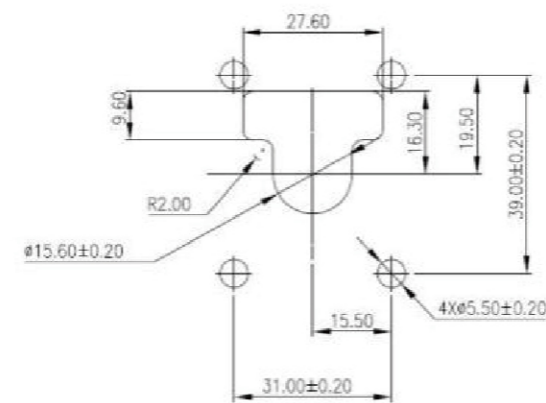
Product Performance	
Durability	50 cycles
Plug-and-play force	-
Wiring Range	50 to 70 mm ² Cable
Rated Current	250A to 300A
Rated Voltage	1,000V DC
Voltage Resistance	4,500V AC
Insulation Resistance	≥500MΩ(DC1000V)
Salt Spray	96 Hours
Protection Level	IP68
Operating Temperature	-40°C to 125°C
Contact Components	Red Copper, Beryllium Copper
Housing	Aluminum Alloy + Insulative Powder Coating
Flame Retardant Rating	UL94V0

Product Selection Table:

Model No.	P/N	Material Name	Color	Compatible Cables/Copper Busbars	Notes
1	HVAB08E-50-1-RE	Positive Pole	Orange	(50 mm ² Cable)	
2	HVAB08E-50-1-BK	Negative Pole	Black	(50 mm ² Cable)	
3	HVAB08E-70-1-RE	Positive Pole	Orange	(70 mm ² Cable)	
4	HVAB08E-70-1-BK	Negative Pole	Black	(70 mm ² Cable)	



Installation Dimensions:



50/70 mm² Dual-core High Voltage Junction Box



The 50/70 mm² dual-core high voltage junction box is designed for use in energy storage and electric vehicle systems, providing stable high voltage and high current transmission between devices; there is a distinction between positive and negative poles, with the positive pole housing colored orange and the negative pole black; connectors are connected by tightening the terminal blocks, making installation and later maintenance convenient; after crimping the cable, it is inserted into the connector, facilitating operation and improving efficiency; eliminates the need for pin contact methods, offering more reliable performance and is more cost-effective than most high current connectors; product terminal cables can be rear-loaded, facilitating customer installation.

Features

- Dual-core integration, compact size, available for different application scenarios.
- Sealing IP68;
- Cable can be rear-loaded;
- Positive and negative pole colors optional.

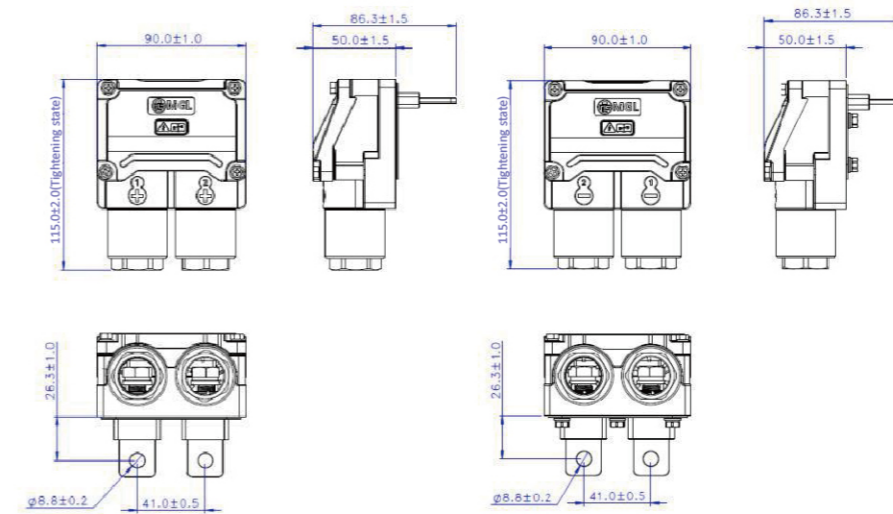
Product Performance	
Durability	50 cycles
Plug-and-play force	-
Wiring Range	50 to 70 mm ² Cable
Rated Current	200A to 250A
Rated Voltage	1,000V DC
Voltage Resistance	3,500V AC
Insulation Resistance	≥500MΩ(DC1000V)
Salt Spray	96 Hours
Protection Level	IP68
Operating Temperature	-40°C to 125°C
Contact Components	High Conductivity Copper + Nickel Plating
Housing	Flame Retardant High-Temperature Resistant Material
Flame Retardant Rating	UL94V0

Product Selection Table:

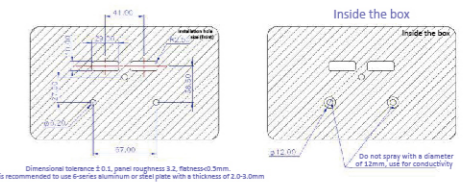
Model No.	P/N	Material Name	Color	Compatible Cables/Copper Busbars	Notes
1	HVCB08E-502-RA-001	Positive Pole	Orange	(50 mm ² Cable)	
2	HVCB08E-502-BL-002	Negative Pole	Black	(50 mm ² Cable)	
3	HVCB08E-702-RA-003	Positive Pole	Orange	(70 mm ² Cable)	
4	HVCB08E-702-BL-004	Negative Pole	Black	(70 mm ² Cable)	

Orange, Positive Pole

Black, Negative Pole



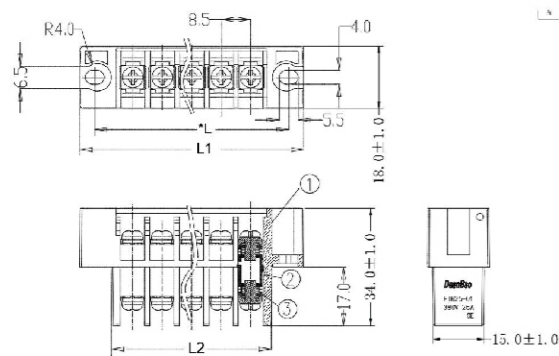
Installation Dimensions:



(Single Output Single Splice) Through-type Fence Terminal Block (Current: 25~500A)

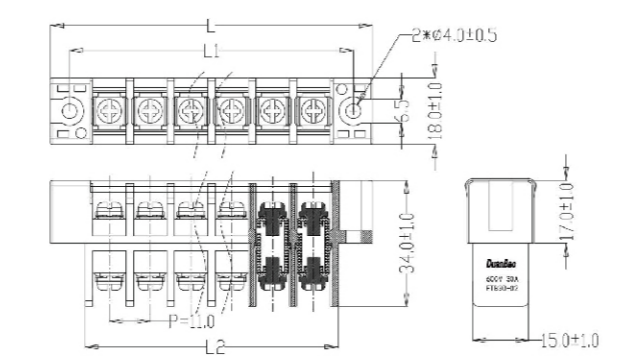
(Single Output Single Splice) Through-type Fence Terminal Block (Current: 300A)

25 A



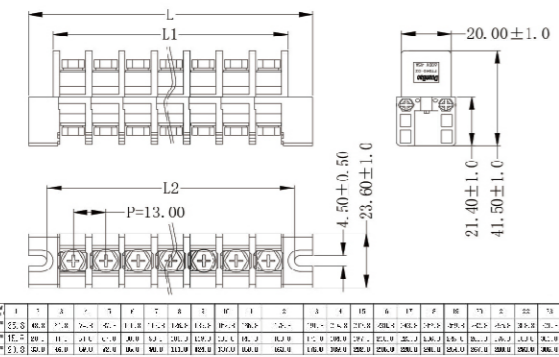
Number of Positions	1	2	3	4	5	6	7	8	9	10	11	12
Dimensions L	22.0	30.5	39.0	47.5	56.0	64.5	73.0	81.5	90.0	98.5	107.0	115.5
Dimensions L1	30.5	39.0	47.5	56.0	64.5	73.0	81.5	90.0	98.5	107.0	115.5	124.0
Dimensions L2	17.0	25.5	34.0	42.5	51.0	59.5	68.0	76.5	85.0	93.5	102.0	110.5

30 A



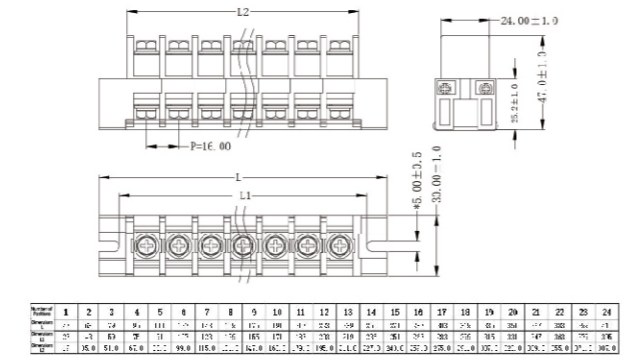
Number of Positions	1	2	3	4	5	6	7	8	9	10	11	12	13	14	15	16
Dimensions L	31.5	42.5	53.5	64.5	75.5	86.5	97.5	108.5	119.5	130.5	141.5	152.5	163.5	174.5	185.5	196.5
Dimensions L1	31.5	42.5	53.5	64.5	75.5	86.5	97.5	108.5	119.5	130.5	141.5	152.5	163.5	174.5	185.5	196.5
Dimensions L2	13.0	24.0	35.0	46.0	57.0	68.0	79.0	90.0	101.0	112.0	123.0	134.0	145.0	156.0	167.0	178.0

40 A



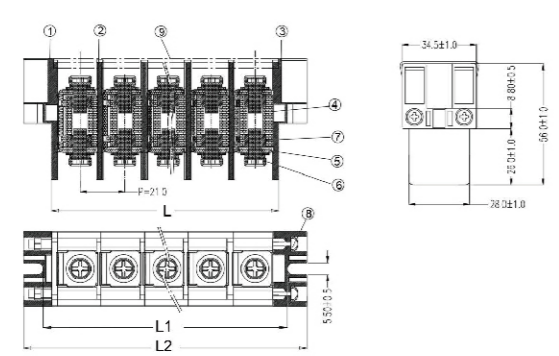
Number of Positions	1	2	3	4	5	6	7	8	9	10	11	12	13	14	15	16	17	18	19	20	21	22	23	24	
Dimensions L	33.0	45.0	57.0	69.0	81.0	93.0	105.0	117.0	129.0	141.0	153.0	165.0	177.0	189.0	201.0	213.0	225.0	237.0	249.0	261.0	273.0	285.0	297.0	309.0	
Dimensions L1	33.0	45.0	57.0	69.0	81.0	93.0	105.0	117.0	129.0	141.0	153.0	165.0	177.0	189.0	201.0	213.0	225.0	237.0	249.0	261.0	273.0	285.0	297.0	309.0	
Dimensions L2	13.0	24.0	35.0	46.0	57.0	68.0	79.0	90.0	101.0	112.0	123.0	134.0	145.0	156.0	167.0	178.0	189.0	200.0	211.0	222.0	233.0	244.0	255.0	266.0	277.0

75 A



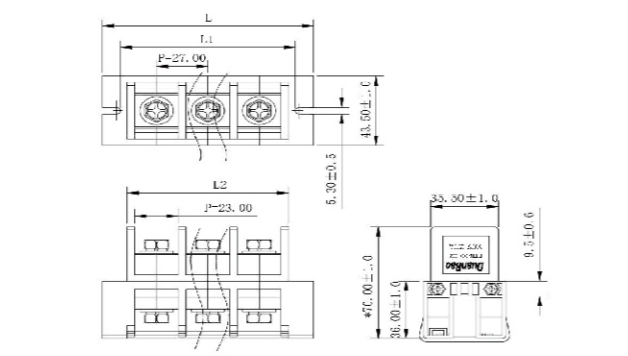
Number of Positions	1	2	3	4	5	6	7	8	9	10	11	12	13	14	15	16	17	18	19	20	21	22	23	24	
Dimensions L	33.0	45.0	57.0	69.0	81.0	93.0	105.0	117.0	129.0	141.0	153.0	165.0	177.0	189.0	201.0	213.0	225.0	237.0	249.0	261.0	273.0	285.0	297.0	309.0	
Dimensions L1	33.0	45.0	57.0	69.0	81.0	93.0	105.0	117.0	129.0	141.0	153.0	165.0	177.0	189.0	201.0	213.0	225.0	237.0	249.0	261.0	273.0	285.0	297.0	309.0	
Dimensions L2	13.0	24.0	35.0	46.0	57.0	68.0	79.0	90.0	101.0	112.0	123.0	134.0	145.0	156.0	167.0	178.0	189.0	200.0	211.0	222.0	233.0	244.0	255.0	266.0	277.0

100 A

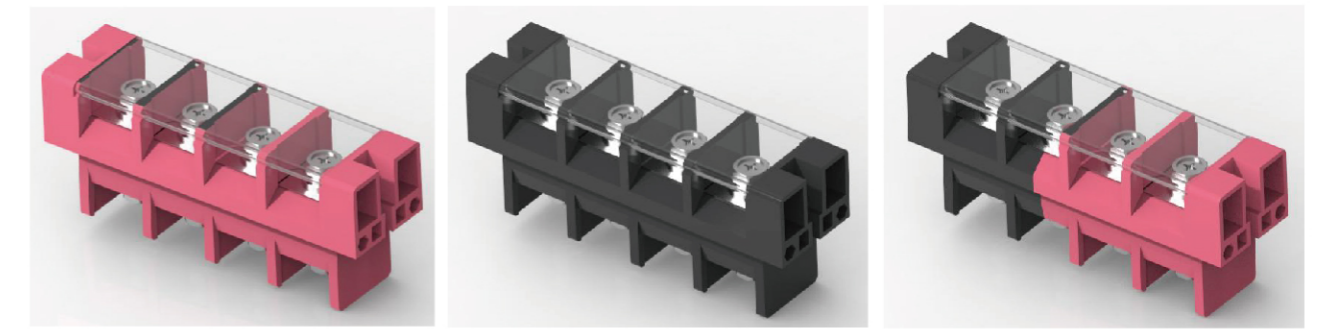


Number of Positions	1	2	3	4	5	6	7	8	9	10	11	12	13	14	15	16	17	18	19	20	21	22	23	24	
Dimensions L	33.0	45.0	57.0	69.0	81.0	93.0	105.0	117.0	129.0	141.0	153.0	165.0	177.0	189.0	201.0	213.0	225.0	237.0	249.0	261.0	273.0	285.0	297.0	309.0	
Dimensions L1	33.0	45.0	57.0	69.0	81.0	93.0	105.0	117.0	129.0	141.0	153.0	165.0	177.0	189.0	201.0	213.0	225.0	237.0	249.0	261.0	273.0	285.0	297.0	309.0	
Dimensions L2	13.0	24.0	35.0	46.0	57.0	68.0	79.0	90.0	101.0	112.0	123.0	134.0	145.0	156.0	167.0	178.0	189.0	200.0	211.0	222.0	233.0	244.0	255.0	266.0	277.0

150~200A



Number of Positions	1	2	3	4	5	6	7	8	9	10	11	12	13	14	15	16	17	18	19	20	21	22	23	24	
Dimensions L	33.0	45.0	57.0	69.0	81.0	93.0	105.0	117.0	129.0	141.0	153.0	165.0	177.0	189.0	201.0	213.0	225.0	237.0	249.0	261.0	273.0	285.0	297.0	309.0	
Dimensions L1	33.0	45.0	57.0	69.0	81.0	93.0	105.0	117.0	129.0	141.0	153.0	165.0	177.0	189.0	201.0	213.0	225.0	237.0	249.0	261.0	273.0	285.0	297.0	309.0	
Dimensions L2	13.0	24.0	35.0	46.0	57.0	68.0	79.0	90.0	101.0	112.0	123.0	134.0	145.0	156.0	167.0	178.0	189.0	200.0	211.0	222.0	233.0	244.0	255.0	266.0	277.0



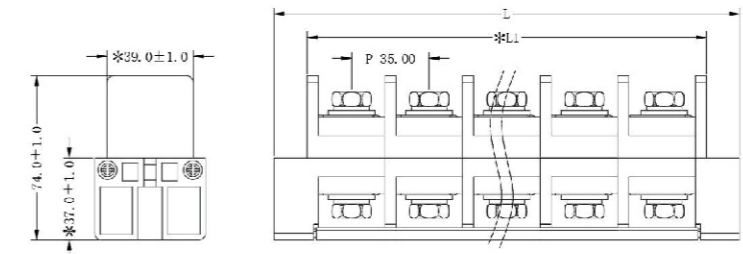
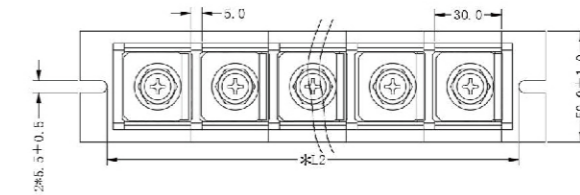
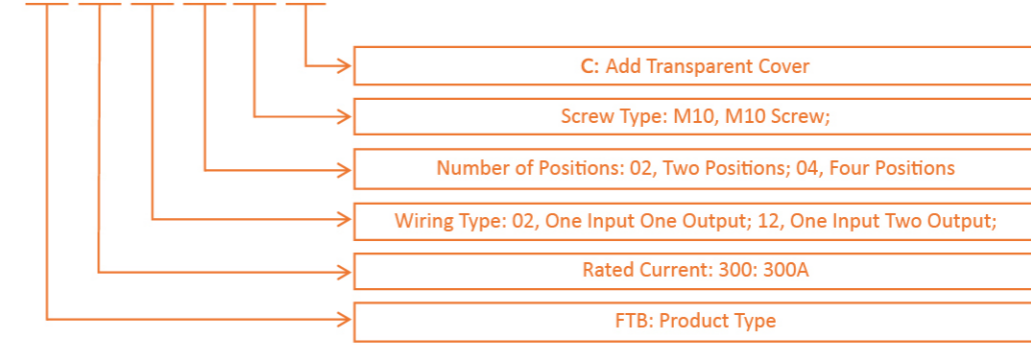
FTB300A Through-type Fence Terminal Block enables safe, reliable, and efficient connections widely used in high current, high voltage environments in energy storage, power grid, and industrial equipment fields.

Features

- High-performance plastic molded housing, reliable insulation, easy installation.
- Product positions can be freely spliced; enables connections from single to multiple units.
- Housing color can be freely spliced, fully black, fully red, or half red half black.
- Transparent protective cover prevents accidental contact.

Product Performance	
Rated Current	300A
Rated Voltage	600V DC
Voltage Resistance	3,000V AC
Insulation Resistance	≥500MΩ(DC600V)
Screw Specifications	M10
Operating Temperature	-40°C to 125°C
Bus Bar	Red Copper, Nickel-plated Surface
Housing	PBT+GF
Flame Retardant Rating	UL94V0

Product Selection Table: FTB 300-02- XX- XX- C



Number of Positions	1	2	3	4	5	6	7	8	9	10	11	12	13	14	15	16	17	18	19	20	21	22	23	24
Dimensions L	68	103	138	173	208	243	278	313	348	383	418	453	488	523	558	593	628	663	698	733	768	803	838	873
Dimensions L1	37.5	72.5	107.5	142.5	177.5	212.5	247.5	282.5	317.5	352.5	387.5	422.5	457.5	492.5	527.5	562.5	597.5	632.5	667.5	702.5	737.5	772.5	807.5	842.5
Dimensions L2	42.5	77.5	112.5	147.5	182.5	217.5	252.5	287.5	322.5	357.5	392.5	427.5	462.5	497.5	532.5	567.5	602.5	637.5	672.5	707.5	742.5	777.5	812.5	847.5

Single Output Single Splice) Through-type Fence Terminal Block (Current: 25~500A)

Single Output Single Splice) Through-type Fence Terminal Block (Current: 300A)

(Single Output Single Splice) Through-type Fence Terminal Block (Current: 500A)



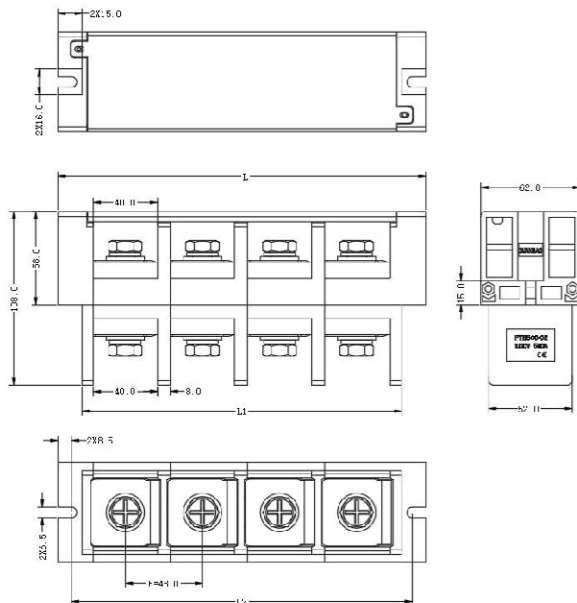
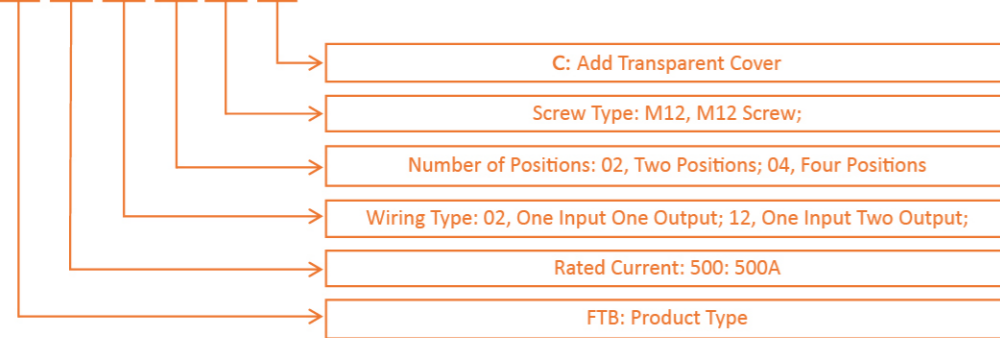
FTB500A Through-type Fence Terminal Block enables safe, reliable, and efficient connections widely used in high current, high voltage environments in energy storage, power grid, and industrial equipment fields.

Features

- High-performance plastic molded housing, reliable insulation, easy installation.
- Product positions can be freely spliced; enables connections from single to multiple units.
- Housing color can be freely spliced, fully black, fully red, or half red half black.
- Transparent protective cover prevents accidental contact.

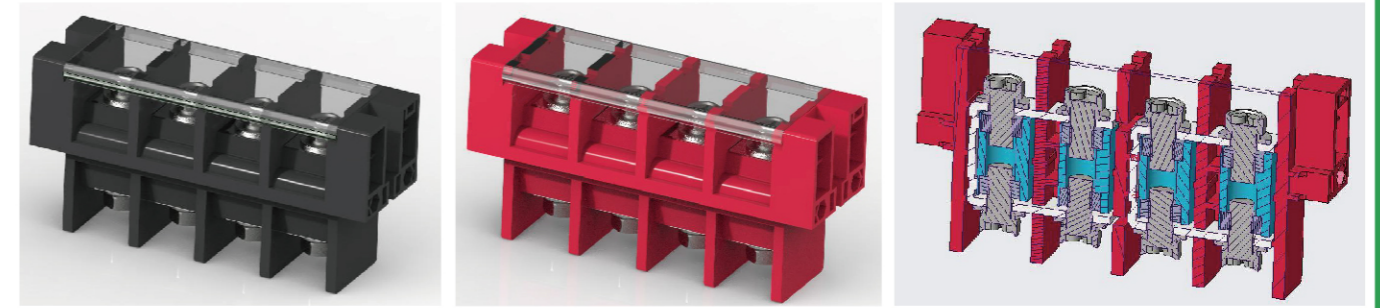
Product Performance	
Rated Current	500A
Rated Voltage	1,000V DC
Voltage Resistance	4,000V AC
Insulation Resistance	≥500MΩ(DC1,000V)
Screw Specifications	M12
Operating Temperature	-40°C to 125°C
Bus Bar	Red Copper, Nickel-plated Surface
Housing	PBT+GF
Flame Retardant Rating	UL94V0

**Product Selection Table:
FTB 500-02- XX- XX- C**



Number of Positions	1	2	3	4	5	6
Dimensions L	85	133.0	181.0	229.0	277.0	325.0
Dimensions L1	55	103.0	151.0	199.0	247.0	295.0
Dimensions L2	68	116.0	164.0	212.0	260.0	308.0

(Single Output Single Splice) Through-type Fence Terminal Block Internal Parallel (Current: 100~200A)



FTB100~200A Through-type Fence Terminal Block enables safe, reliable, and efficient connections widely used in high current, high voltage environments in energy storage, power grid, and industrial equipment fields.

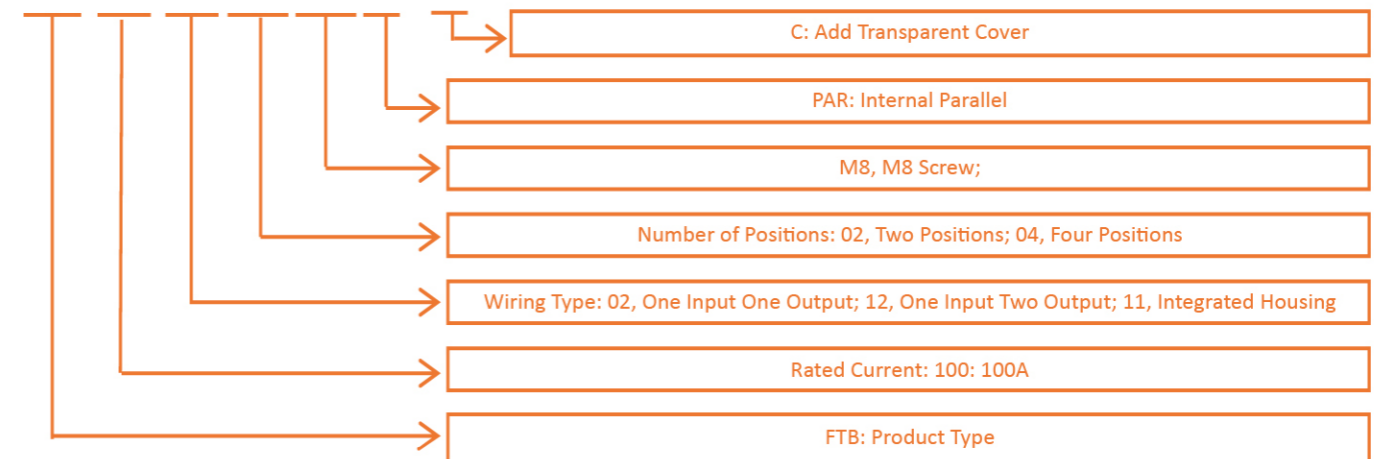
Features

- High-performance plastic molded housing, reliable insulation, easy installation.
- Product positions can be freely spliced; enables connections from single to multiple units.
- Housing color can be freely spliced, fully black, fully red, or half red half black.
- Transparent protective cover prevents accidental contact.

Product Performance	
Rated Current	100~200A
Rated Voltage	600V DC
Voltage Resistance	3,000V AC
Insulation Resistance	≥500MΩ(DC600V)
Screw Specifications	M6/M8
Operating Temperature	-40°C to 125°C
Bus Bar	Copper Alloy/Red Copper, Nickel-plated Surface
Housing	PBT+GF
Flame Retardant Rating	UL94V0

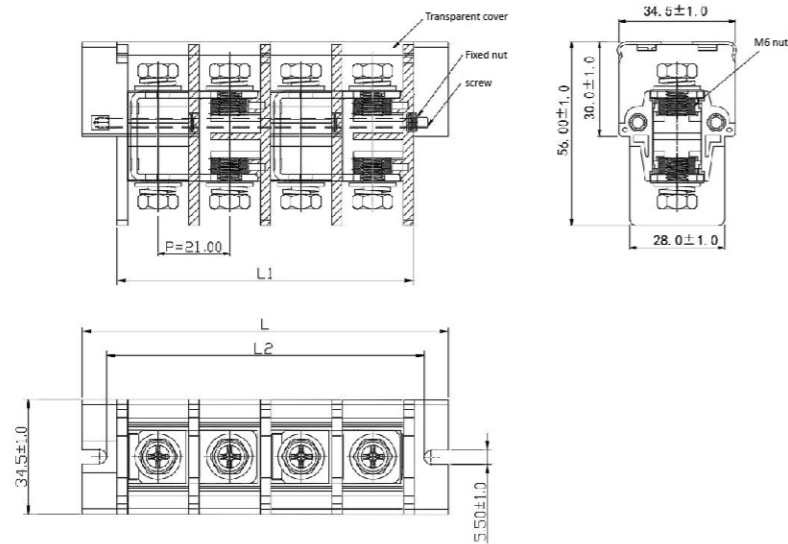
Product Selection Table:

FTB100 - 02- XX- XX-PAR- C



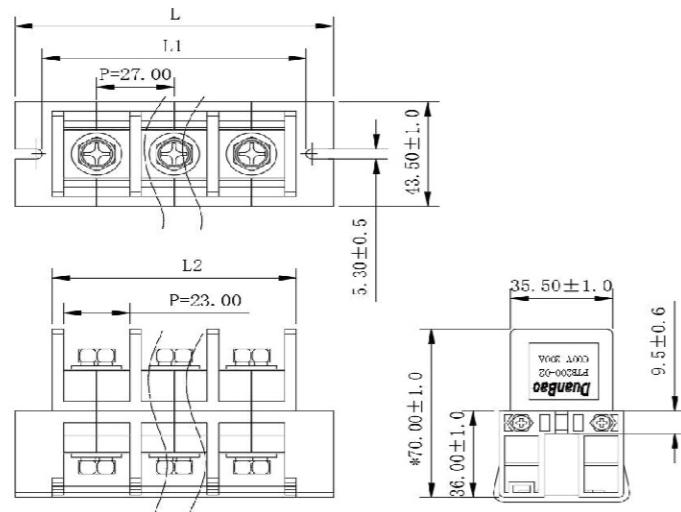
(Single Output Single Splice) Through-type Fence Terminal Block Internal Parallel (Current: 100~200A)

100 A



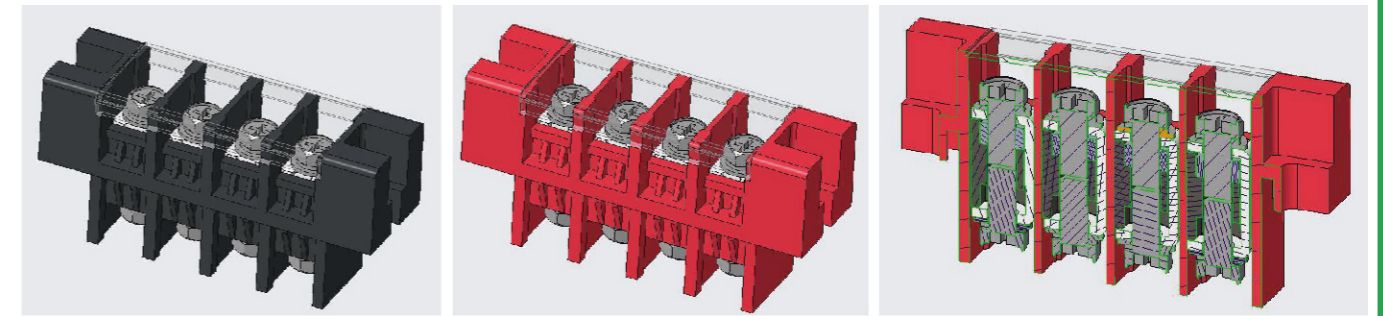
Number of Positions	1	2	3	4	5	6	7	8	9	10	11	12	13	14	15	16	17	18	19	20	21	22	23	24
Dimensions L	26.0	47.0	68.0	89.0	110.0	131.0	152.0	173.0	194.0	215.0	236.0	257.0	278.0	299.0	320.0	341.0	362.0	383.0	404.0	425.0	446.0	467.0	488.0	509.0
Dimensions L1	33	54	75	96	117	138	159	180	201	222	243	264	285	306	327	348	369	390	411	432	453	474	495	516
Dimensions L2	62.0	73.0	84.0	95.0	106.0	117.0	128.0	139.0	150.0	161.0	172.0	183.0	194.0	205.0	216.0	227.0	238.0	249.0	260.0	271.0	282.0	293.0	304.0	315.0

150 ~200A



Number of Positions	1	2	3	4	5	6	7	8	9	10	11	12	13	14	15	16	17	18	19	20	21	22	23	24
Dimensions	56	83.0	110.0	137.0	164.0	191.0	218.0	245.0	272.0	299.0	326.0	353.0	380.0	407.0	434.0	461.0	488.0	515.0	542.0	569.0	596.0	623.0	650.0	677.0
Dimensions L1	37.5	64.5	91.5	118.5	145.5	172.5	199.5	226.5	253.5	280.5	307.5	334.5	361.5	388.5	415.5	442.5	469.5	496.5	523.5	550.5	577.5	604.5	631.5	658.5
Dimensions L2	31	58.0	85.0	112.0	139.0	166.0	193.0	220.0	247.0	274.0	301.0	328.0	355.0	382.0	409.0	436.0	463.0	490.0	517.0	544.0	571.0	598.0	625.0	652.0

(Single Output Single Integrated) Fence Terminal Block (Current: 75A~100A)



FTB75~100A Integrated Fence Terminal Block enables safe, reliable, and efficient connections widely used in high current, high voltage environments in energy storage, power grid, and industrial equipment fields.

Features

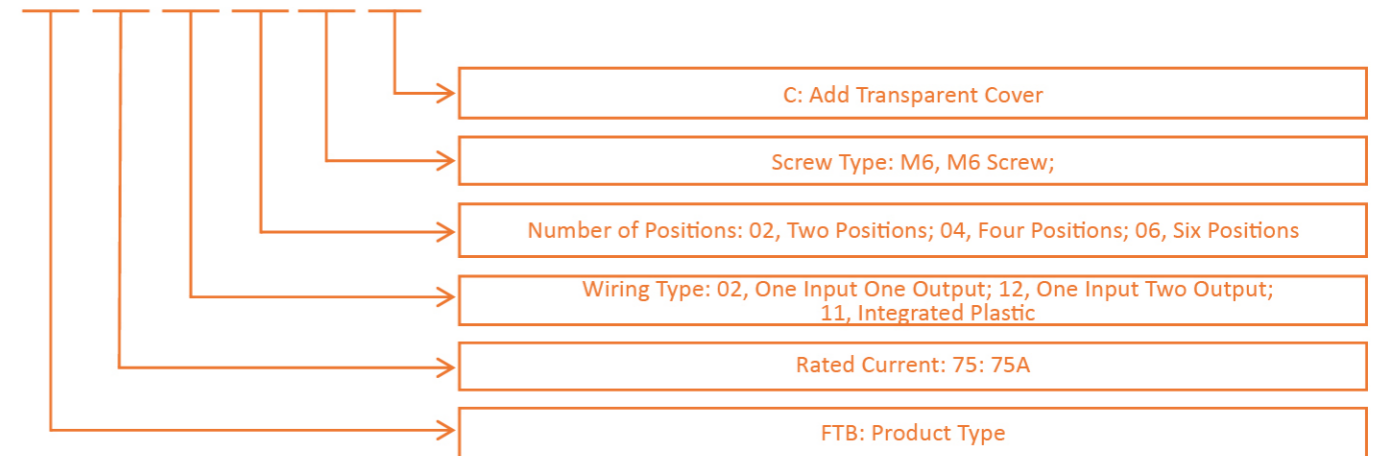
- High-performance plastic integrated housing with reliable insulation and simple structure;
- Housing color options red or black.
- Transparent protective cover prevents accidental contact.

Product Performance

Rated Current	75~100A
Rated Voltage	600V DC
Voltage Resistance	3,000V AC
Insulation Resistance	≥500MΩ(DC600V)
Screw Specifications	M6/M8
Operating Temperature	-40°C to 125°C
Bus Bar	Copper Alloy/Red Copper, Nickel-plated Surface
Housing	PBT+GF
Flame Retardant Rating	UL94V0

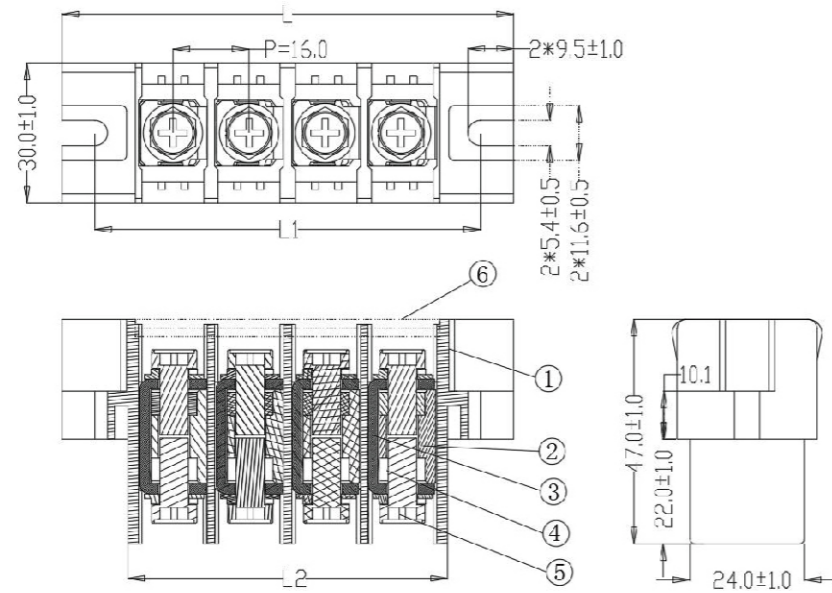
Product Selection Table:

FTB 75 - 11- XX- XX- C



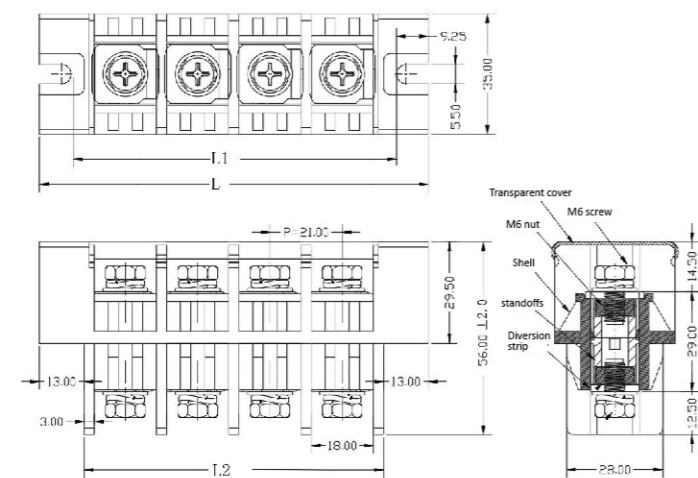
(Single Output Single Integrated) Fence Terminal Block (Current: 75A~100A)

75 A



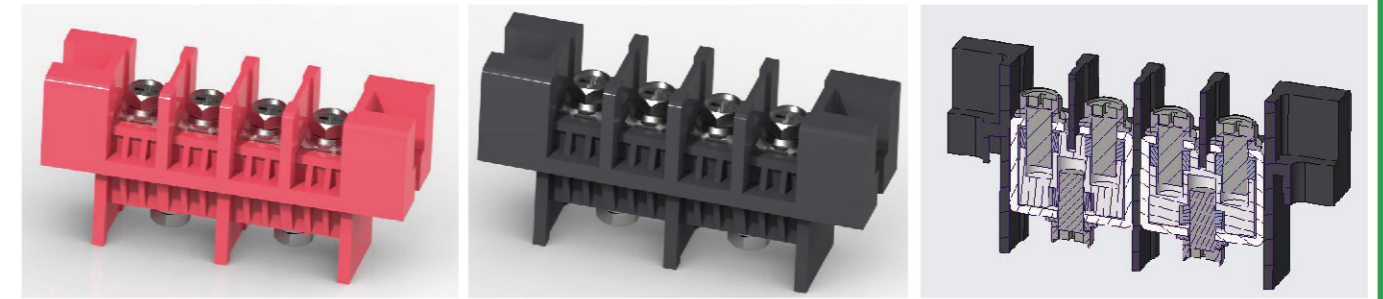
Number of Positions	2	4	6
Dimensions L	63	95.0	137.0
Dimensions L1	49	81.0	123.0
Dimensions L2	35	67.0	109.0

100 A



Number of Positions	2	4	6
Dimensions L	70.5	112.5	154.5
Dimensions L1	52.5	94.5	136.5
Dimensions L2	45	87.0	129.0

(Single Output Dual Integrated) Fence Terminal Block (Current: 75~100A)



FTB75~100A Integrated Fence Terminal Block enables safe, reliable, and efficient connections widely used in high current, high voltage environments in energy storage, power grid, and industrial equipment fields.

Features

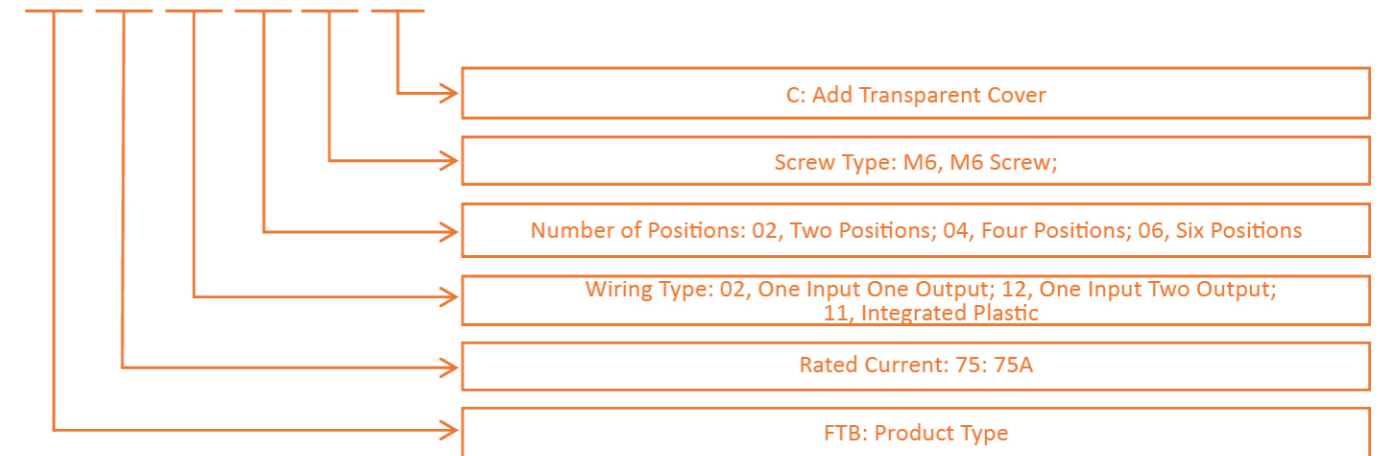
- High-performance plastic integrated housing with reliable insulation and simple structure;
- Housing color options red or black.
- Transparent protective cover prevents accidental contact.

Product Performance

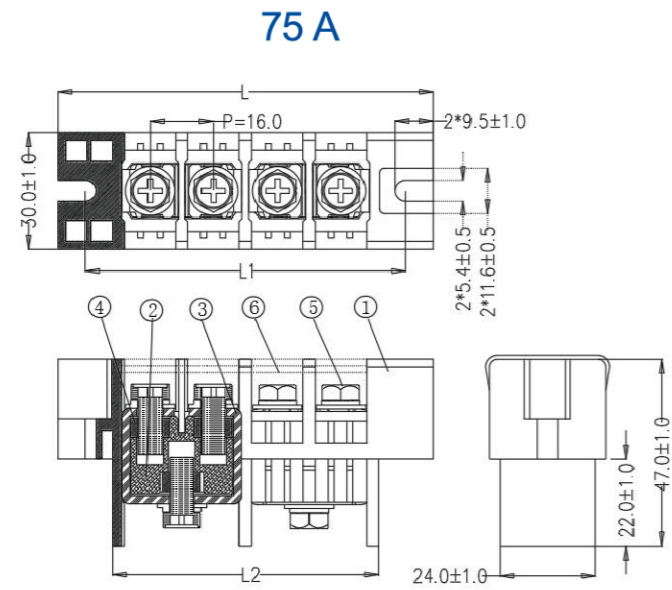
Rated Current	75~100A
Rated Voltage	600V DC
Voltage Resistance	3,000V AC
Insulation Resistance	≥500MΩ(DC600V)
Screw Specifications	M6/M8
Operating Temperature	-40°C to 125°C
Bus Bar	Copper Alloy/Red Copper, Nickel-plated Surface
Housing	PBT+GF
Flame Retardant Rating	UL94V0

Product Selection Table:

FTB 75 - 12- XX- XX- C

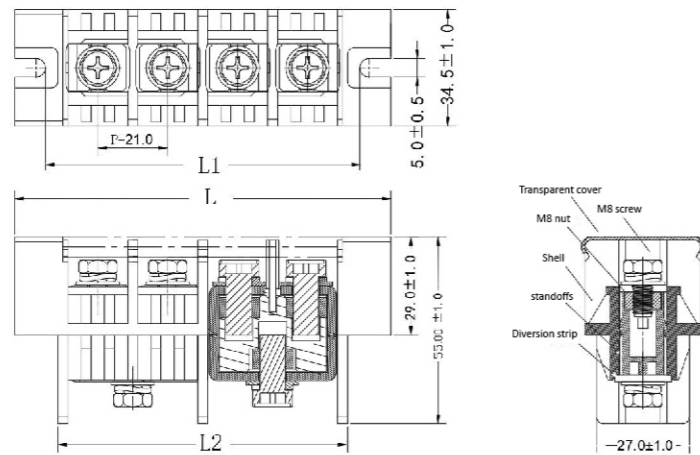


(Single Output Dual Integrated) Fence Terminal Block (Current: 75~100A)



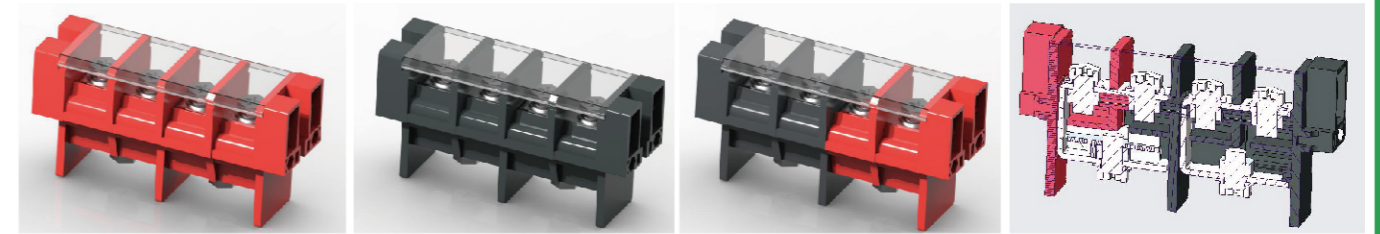
Number of Positions	2	4	6
Dimensions L	63	95.0	137.0
Dimensions L1	49	81.0	123.0
Dimensions L2	35	67.0	109.0

100 A



Number of Positions	2	4	6
Dimensions L	70.5	112.5	154.5
Dimensions L1	52.5	94.5	136.5
Dimensions L2	45	87.0	129.0

(Single Output Dual) Splice Through-type Fence Terminal Block (Current: 150A-200A)



FTB150~200A Through-type Fence Terminal Block enables safe, reliable, and efficient connections widely used in high current, high voltage environments in energy storage, power grid, and industrial equipment fields.

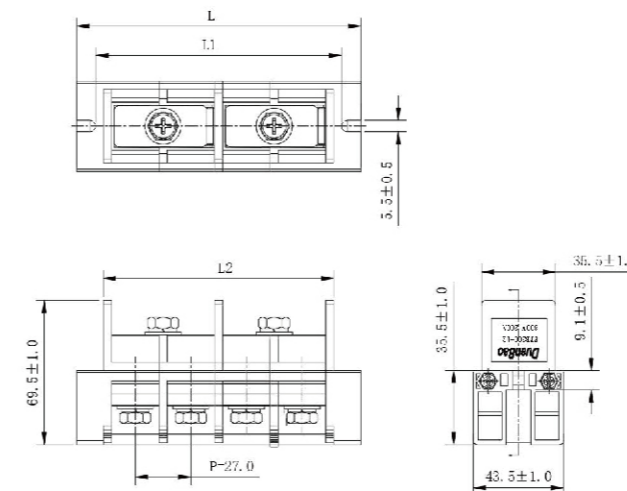
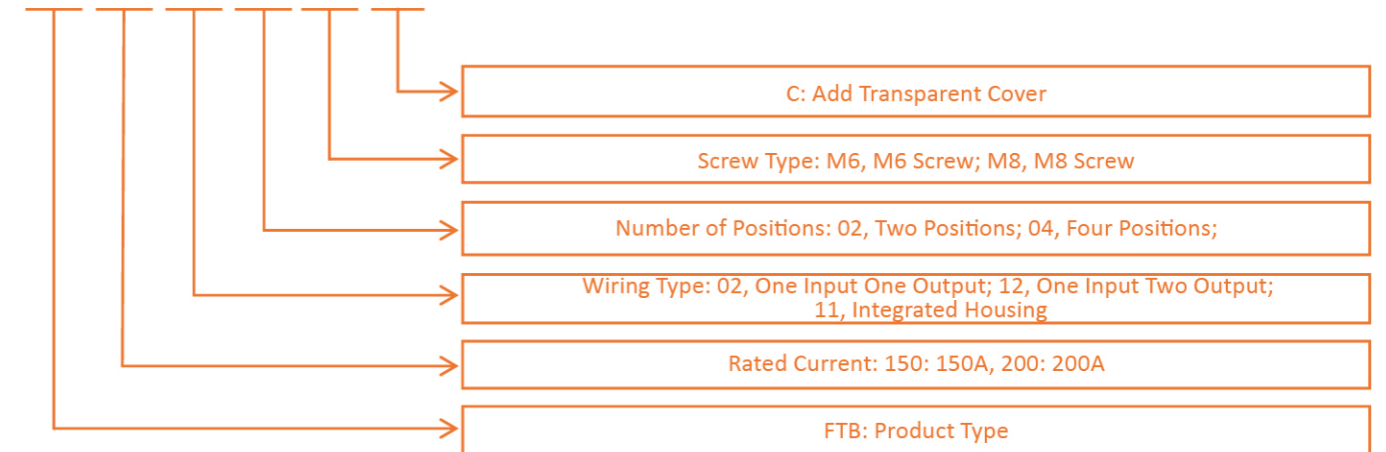
Features

- High-performance plastic molded housing, reliable insulation, easy installation.
- Product positions can be freely spliced; enables connections from single to multiple units.
- Housing color can be freely spliced, fully black, fully red, or half red half black.
- Transparent protective cover prevents accidental contact.

Product Performance	
Rated Current	150~200A
Rated Voltage	600V DC
Voltage Resistance	3,000V AC
Insulation Resistance	≥500MQ(DC600V)
Screw Specifications	M8
Operating Temperature	-40°C to 125°C
Bus Bar	Copper Alloy/Red Copper, Nickel-plated Surface
Housing	PBT+GF
Flame Retardant Rating	UL94V0

Product Selection Table:

FTB 150 - 12- XX- XX- C

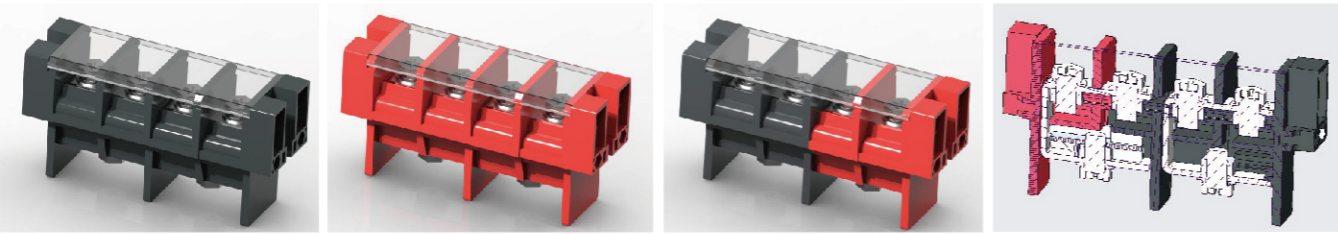


Number of Positions	2	4	6
Dimensions L	83.5	137.5	191.5
Dimensions L1	65.0	119.0	173.0
Dimensions L2	58.5	112.5	166.5

Single Output Dual Integrated) Fence Terminal Block (Current: 75~100A)

Single Output Dual) Splice Through-type Fence Terminal Block (Current: 150A~200A)

(Single Output Dual) Splice Through-type Fence Terminal Block (Current: 350A)



FTB350A Through-type Fence Terminal Block enables safe, reliable, and efficient connections widely used in high current, high voltage environments in energy storage, power grid, and industrial equipment fields.

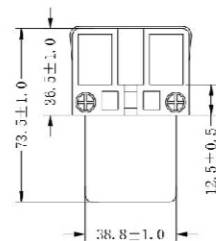
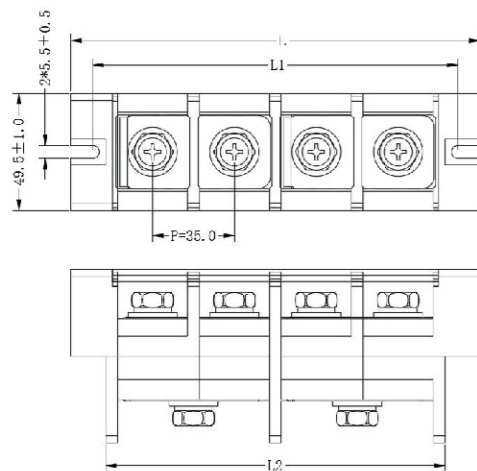
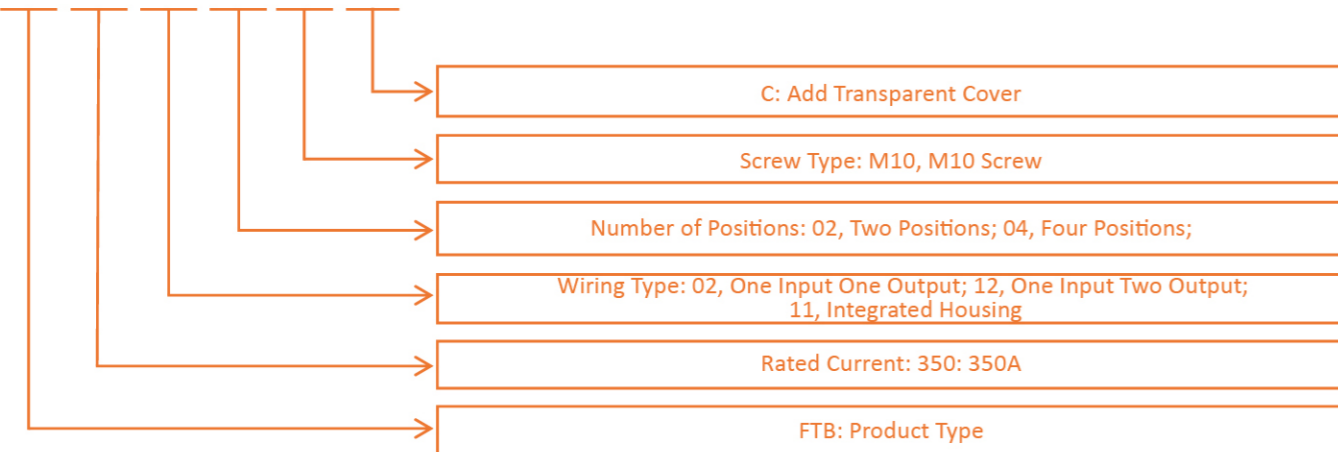
Features

- High-performance plastic molded housing, reliable insulation, easy installation.
- Product positions can be freely spliced; enables connections from single to multiple units.
- Housing color can be freely spliced, fully black, fully red, or half red half black.
- Transparent protective cover prevents accidental contact.

Product Performance	
Rated Current	350A
Rated Voltage	1-00V DC
Voltage Resistance	3,000V AC
Insulation Resistance	≥500MΩ(DC600V)
Screw Specifications	M10
Operating Temperature	-40°C to 125°C
Bus Bar	Red Copper, Nickel-plated Surface
Housing	PBT+GF
Flame Retardant Rating	UL94V0

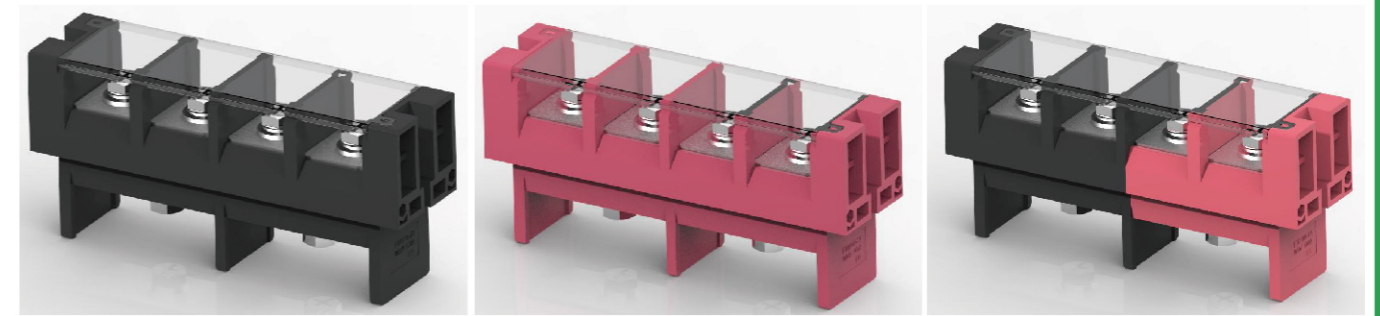
Product Selection Table:

FTB 350 - 12- XX- XX- C



Number of Positions	2	4
Dimensions L	103	173.0
Dimensions L1	81	151.0
Dimensions L2	75	145.0

(Single Output Dual Splice) Through-type Fence Terminal Block (Current: 500A)



FTB500A Through-type Fence Terminal Block enables safe, reliable, and efficient connections widely used in high current, high voltage environments in energy storage, power grid, and industrial equipment fields.

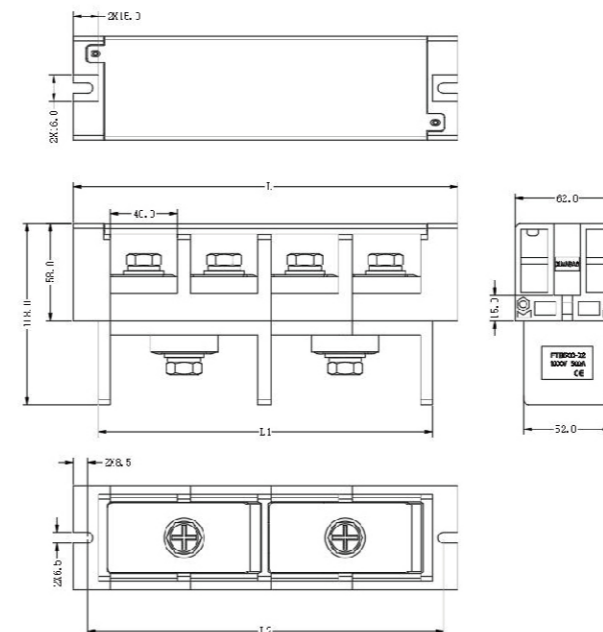
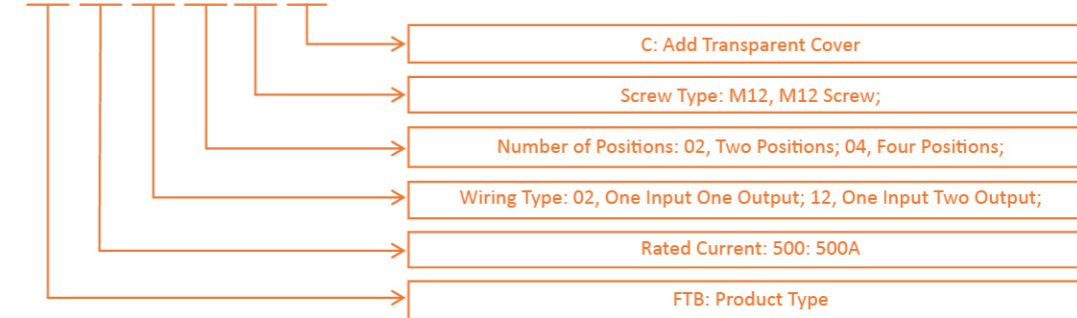
Features

- High-performance plastic molded housing, reliable insulation, easy installation.
- Product positions can be freely spliced; enables connections from single to multiple units.
- Housing color can be freely spliced, fully black, fully red, or half red half black.
- Transparent protective cover prevents accidental contact.

Product Performance	
Rated Current	500A
Rated Voltage	1,000V DC
Voltage Resistance	4,000V AC
Insulation Resistance	≥500MΩ(DC1,000V)
Screw Specifications	M12
Operating Temperature	-40°C to 125°C
Bus Bar	Red Copper, Nickel-plated Surface
Housing	PBT+GF
Flame Retardant Rating	UL94V0

Product Selection Table:

FTB 500-12- XX- XX- C

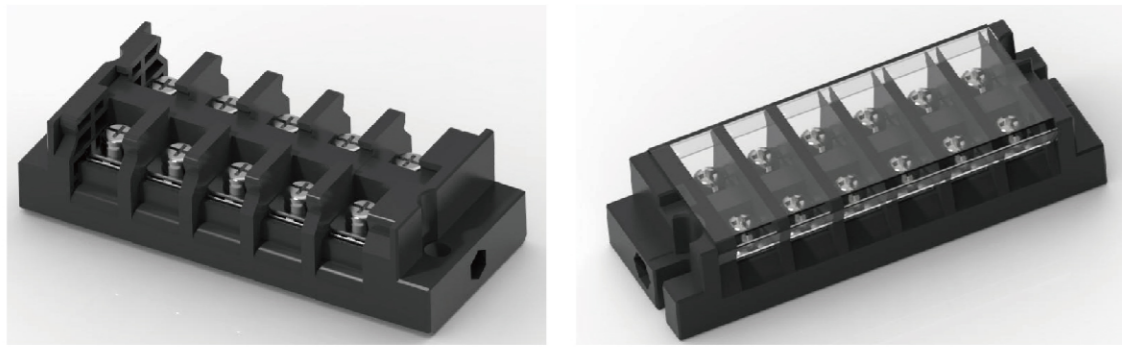


Number of Positions	2	4	6
Dimensions L	133.0	229.0	325.0
Dimensions L1	103.0	199.0	295.0
Dimensions L2	116.0	212.0	308.0

(Single Output Dual) Splice Through-type Fence Terminal Block (Current: 350A)

(Single Output Dual Splice) Through-type Fence Terminal Block (Current: 500A)

Panel Terminal Block (Current: 20~200A)



FTB20~200A Panel Terminal Block enables safe, reliable, and effective connections, especially widely used in high current and high voltage environments in energy storage, electrical grid, and industrial equipment fields.

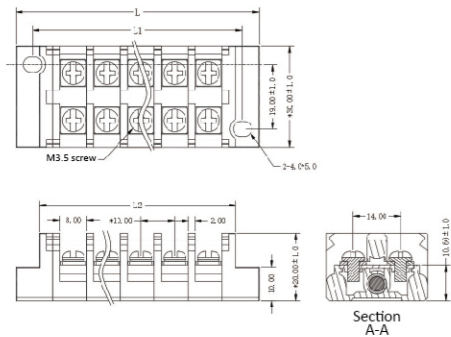
Features

- High-performance plastic integrated housing with reliable insulation and simple structure;
- Housing color black
- Transparent protective cover prevents accidental contact.

Product Performance	
Rated Current	20~200A
Rated Voltage	600V DC
Voltage Resistance	3,000V AC
Insulation Resistance	≥500MΩ(DC600V)
Screw Specifications	M3.5
Operating Temperature	-40°C to 125°C
Bus Bar	Copper Alloy, Nickel-plated Surface
Housing	PBT+GF
Flame Retardant Rating	UL94V0

Product Selection Table:

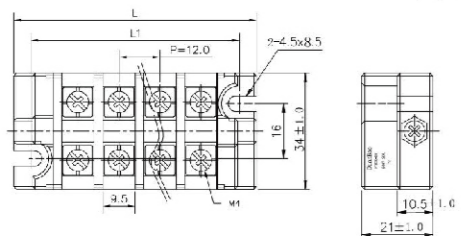
Model No.	P/N	Material Name	Color	Compatible Cables /Copper Busbars	Notes
1	FTB-20-02-XX-M3.5-C	20A Panel Terminal Block	Black	M3.5	XX represents the number of positions



Number of Positions	1	2	3	4	5	6	7	8	9	10	11	12	13	14	15	16	17	18	19	20	21	22	23	24
Dimensions	22	34	46	58	70	82	94	106	118	130	142	154	166	178	190	202	214	226	238	250	262	274	286	298
Dimensions	14	26	38	50	62	74	86	98	110	122	134	146	158	170	182	194	206	218	230	242	254	266	278	290

Product Selection Table:

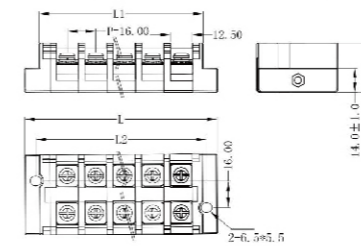
Model No.	P/N	Material Name	Color	Compatible Cables /Copper Busbars	Notes
1	FTB-30-08-XX-M3.5-C	30A Panel Terminal Block	Black	M3.5	XX represents the number of positions



Number of Positions	1	2	3	4	5	6	7	8	9	10	11	12	13	14	15	16	17	18	19	20	21	22	23	24
Dimensions	36	48	60	72	84	96	108	120	132	144	156	168	180	192	204	216	228	240	252	264	276	288	300	312
Dimensions	28	40	52	64	76	88	100	112	124	136	148	160	172	184	196	208	220	232	244	256	268	280	292	304

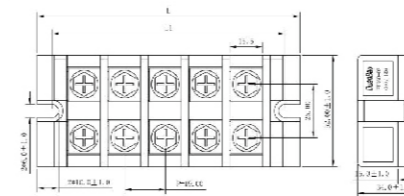
Panel Terminal Block (Current: 20~200A)

Model No.	P/N	Material Name	Color	Compatible Cables /Copper Busbars	Notes
1	FTB-50-08-XX-M5-C	50A Panel Terminal Block	Black	M5	XX represents the number of positions



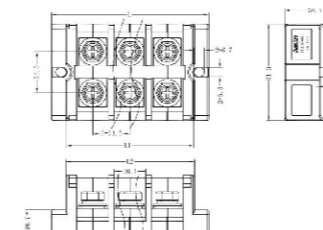
Number of Positions	1	2	3	4	5	6	7	8	9	10	11	12	13	14	15	16	17	18	19	20	21	22	23	24
Dimensions	44	60	76	92	108	124	140	156	172	188	204	220	236	252	268	284	300	316	332	348	364	380	396	412
Dimensions	28.2	44.2	60.2	76.2	92.2	108.2	124.2	140.2	156.2	172.2	188.2	204.2	220.2	236.2	252.2	268.2	284.2	300.2	316.2	332.2	348.2	364.2	380.2	396.2

Model No.	P/N	Material Name	Color	Compatible Cables /Copper Busbars	Notes
1	FTB-60-02-XX-M6-C	60A Panel Terminal Block	Black	M6	XX represents the number of positions



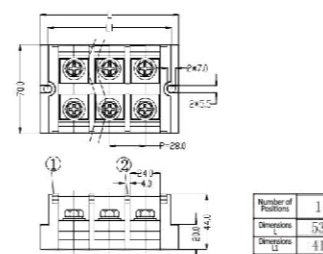
Number of Positions	1	2	3	4	5	6	7	8	9	10	11	12	13	14	15	16	17	18	19	20	21	22	23	24
Dimensions	47	66	85	104	123	142	161	80	199	218	237	256	275	294	313	332	351	370	389	408	427	446	465	484
Dimensions	33	52	71	90	109	128	147	66	185	204	223	242	261	280	299	318	337	356	375	394	413	432	451	470

Model No.	P/N	Material Name	Color	Compatible Cables /Copper Busbars	Notes
1	FTB-100-06-XX-M8-C	100A Panel Terminal Block	Black	M8	XX represents the number of positions



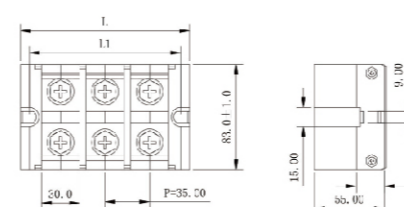
Number of Positions	1	2	3	4	5	6	7	8	9	10	11	12	13	14	15	16	17	18	19	20	21	22	23	24
Dimensions	52.3	75.8	100.3	122.8	146.3	169.8	193.3	216.8	240.3	263.8	287.3	310.8	334.3	357.8	381.3	404.8	428.3	451.8	475.3	498.8	522.3	545.8	569.3	592.8
Dimensions	35.3	56.8	80.3	103.8	127.3	150.8	174.3	197.8	221.3	244.8	268.3	291.8	315.3	338.8	362.3	385.8	409.3	432.8	456.3	479.8	503.3	526.8	550.3	573.8
Dimensions	31.2	57.2	81.2	104.7	128.2	151.7	175.2	198.7	222.2	245.7	269.2	292.7	316.2	339.7	363.2	386.7	410.2	433.7	457.2	480.7	504.2	527.7	551.2	574.7

Model No.	P/N	Material Name	Color	Compatible Cables /Copper Busbars	Notes
1	FTB-150-06-XX-M8-C	150A Panel Terminal Block	Black	M8	XX represents the number of positions



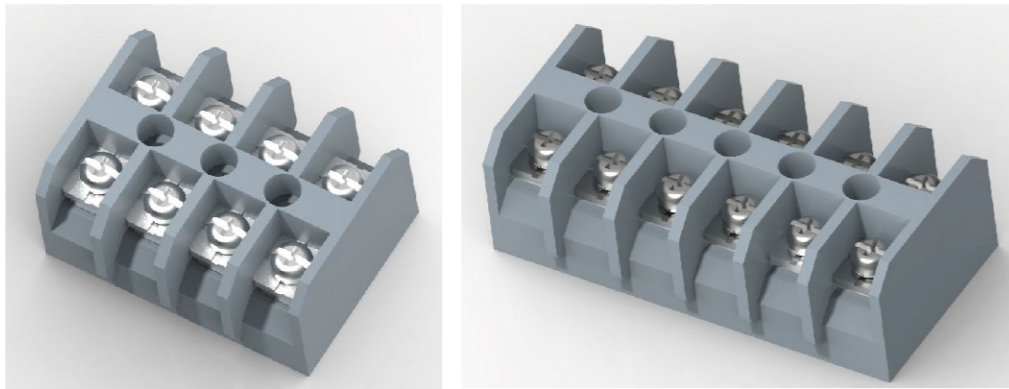
Number of Positions	1	2	3	4	5	6	7	8	9	10	11	12	13	14	15	16	17	18	19	20	21	22	23	24
Dimensions	53	81	109	137	165	193	221	249	277	305	333	361	389	417	445	473	501	529	557	585	613	641	669	697
Dimensions	41	69	97	125	153	181	209	237	265	293	321	349	377	405	433	461	489	517	545	573	601	629	657	685

Model No.	P/N	Material Name	Color	Compatible Cables /Copper Busbars	Notes
1	FTB-200-03-XX-M8-C	200A Panel Terminal Block	Black	M8	XX represents the number of positions



Number of Positions	1	2	3	4	5	6	7	8	9	10	11	12	13	14	15	16	17	18	19	20	21	22	23	24
Dimensions	63.0	96.0	133.0	168.0	203.0	238.0	273.0	308.0	343.0	378.0	413.0	448.0	483.0	518.0	553.0	588.0	623.0	658.0	693.0	728.0	763.0	798.0	833.0	868.0
Dimensions	49.0	84.0	119.0	154.0	189.0	224.0	259.0	294.0	329.0	364.0	399.0	434.0	469.0	504.0	539.0	574.0	609.0	644.0	679.0	714.0	749.0	784.0	819.0	854.0

Panel Terminal Block (Current: 75A)



FTB75A Panel Terminal Block enables safe, reliable, and effective connections, especially widely used in high current and high voltage environments in energy storage, electrical grid, and industrial equipment fields.

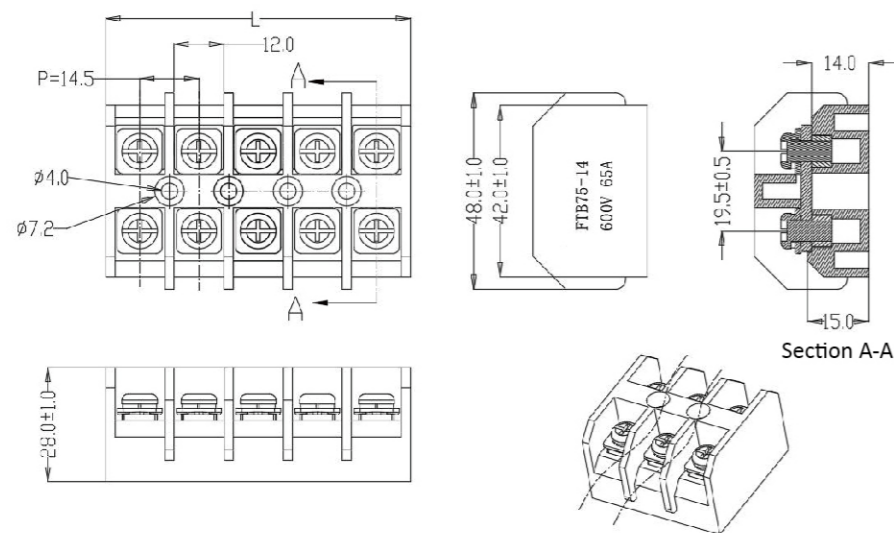
Features

- High-performance plastic integrated housing with reliable insulation and simple structure;
- Housing color black
- Transparent protective cover prevents accidental contact.

Product Performance	
Rated Current	75A
Rated Voltage	600V DC
Voltage Resistance	3,000V AC
Insulation Resistance	≥500MΩ(DC600V)
Screw Specifications	M6
Operating Temperature	-40°C to 125°C
Bus Bar	Copper Alloy, Nickel-plated Surface
Housing	PC
Flame Retardant Rating	UL94V0

Product Selection Table:

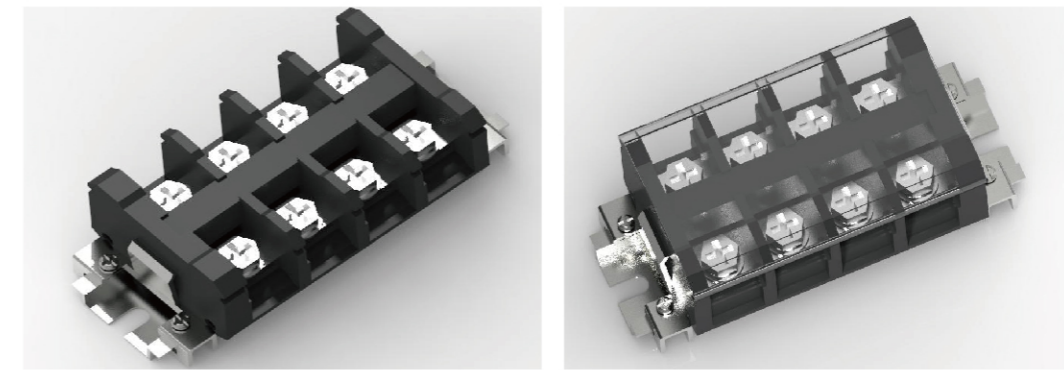
Model No.	P/N	Material Name	Color	Compatible Cables /Copper Busbars	Notes
1	FTB-75-14-XX-M6-C	75A Panel Terminal Block	Black	M6	XX represents the number of positions



Number of Positions	1	2	3	4	5	6	7	8	9	10	11	12
Dimensions L	16.5	31.0	45.5	60.0	74.5	89.0	103.5	118.0	132.5	147.0	161.5	176.0

ORABO

Rail Terminal Block (Current: 60A)



FTB60A Rail Terminal Block enables safe, reliable, and effective connections, especially widely used in high current and high voltage environments in energy storage, electrical grid, and industrial equipment fields.

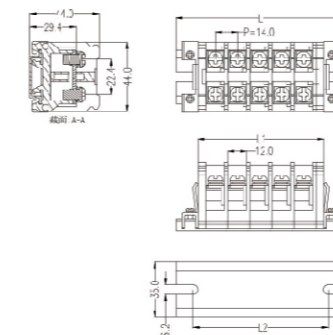
Features

- High-performance plastic integrated housing with reliable insulation and simple structure;
- Housing color black
- Transparent protective cover prevents accidental contact.
- Rail length and hole size can be customized.

Product Performance	
Rated Current	60~300A
Rated Voltage	600V DC
Voltage Resistance	3,000V AC
Insulation Resistance	≥500MΩ(DC600V)
Screw Specifications	M5/M6/M8/M10
Operating Temperature	-40°C to 125°C
Bus Bar	Copper Alloy/Red Copper, Nickel-plated Surface
Housing	PC
Flame Retardant Rating	UL94V0

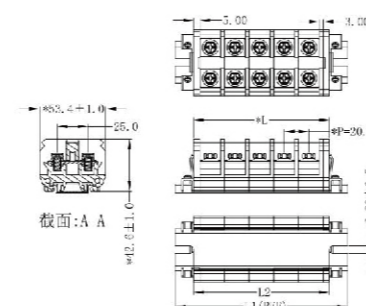
Product Selection Table:

Model No.	P/N	Material Name	Color	Compatible Cables /Copper Busbars	Notes
1	FTB-60-01-XX-M5-D	60A Rail Terminal Block	Black	M5	XX represents the number of positions



Number of Positions	1	2	3	4	5	6	7	8	9	10	11	12	13	14	15	16	17	18	19	20	21	22	23	24
Dimensions L	52	66.3	80.6	94.9	109.2	123.5	137.8	152.1	166.4	180.7	195.0	209.3	223.6	237.9	252.2	266.5	280.8	295.1	309.4	323.7	338.0	352.3	366.6	380.9
Dimensions L2	24	38.3	52.6	66.9	81.2	95.5	109.8	124.1	138.4	152.7	167.0	181.3	195.6	210.0	224.3	238.6	252.9	267.2	281.5	295.8	310.1	324.4	338.7	353.0
Dimensions L2	30	44.3	58.6	72.9	87.2	101.5	115.8	130.1	144.4	158.7	173.0	187.3	201.6	215.9	230.2	244.5	258.8	273.1	287.4	301.7	316.0	330.3	344.6	358.9

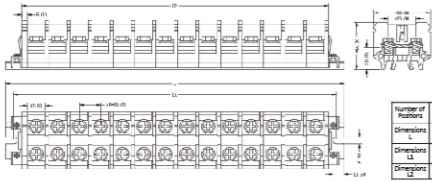
Model No.	P/N	Material Name	Color	Compatible Cables /Copper Busbars	Notes
1	FTB-75-01-XX-M5-D	75A Rail Terminal Block	Black	M6	XX represents the number of positions



Number of Positions	1	2	3	4	5	6	7	8	9	10	11	12	13	14	15	16	17	18	19	20	21	22	23	24
Dimensions L	60	80	100	120	140	160	180	200	220	240	260	280	300	320	340	360	380	400	420	440	460	480	500	520
Dimensions L2	30	50.0	70.0	90.0	110.0	130.0	150.0	170.0	190.0	210.0	230.0	250.0	270.0	290.0	310.0	330.0	350.0	370.0	390.0	410.0	430.0	450.0	470.0	490.0

Rail Terminal Block (Current: 100A)

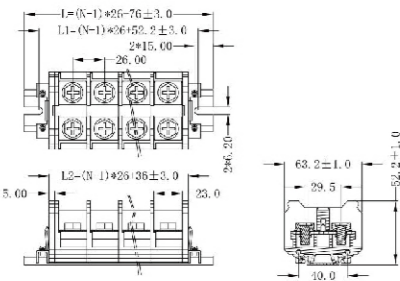
Model No.	P/N	Material Name	Color	Compatible Cables /Copper Busbars	Notes
1	FTB-100-03-XX-M6-D	100A Rail Terminal Block	Black	M6	XX represents the number of positions



Number of Positions	1	2	3	4	5	6	7	8	9	10	11	12	13	14	15	16	17	18	19	20	21	22	23	24
Dimensions L	65	76.0	86.0	116.0	126.0	136.0	146.0	156.0	166.0	176.0	186.0	196.0	206.0	216.0	226.0	236.0	246.0	256.0	266.0	276.0	286.0	296.0	306.0	316.0
Dimensions W	40	40	40	40	40	40	40	40	40	40	40	40	40	40	40	40	40	40	40	40	40	40	40	40
Dimensions H	25	45.0	65.0	85.0	105.0	125.0	145.0	165.0	185.0	205.0	225.0	245.0	265.0	285.0	305.0	325.0	345.0	365.0	385.0	405.0	425.0	445.0	465.0	485.0

Rail Terminal Block (Current: 150A)

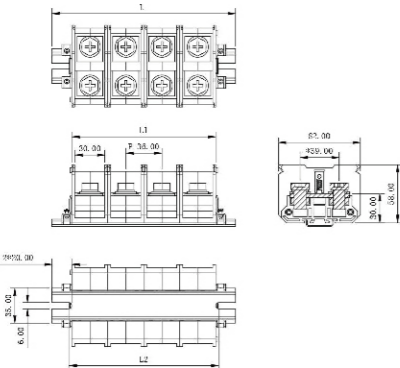
Model No.	P/N	Material Name	Color	Compatible Cables /Copper Busbars	Notes
1	FTB-150-01-XX-M8-D	150A Rail Terminal Block	Black	M8	XX represents the number of positions



Number of Positions	1	2	3	4	5	6	7	8	9	10	11	12	13	14	15	16	17	18	19	20	21	22	23	24
Dimensions L	76	102	128	154	180	206	232	258	284	310	336	362	388	414	440	466	492	518	544	570	596	622	648	674
Dimensions W	38	38	38	38	38	38	38	38	38	38	38	38	38	38	38	38	38	38	38	38	38	38	38	38
Dimensions H	38	42.0	46.0	50.0	54.0	58.0	62.0	66.0	70.0	74.0	78.0	82.0	86.0	90.0	94.0	98.0	102.0	106.0	110.0	114.0	118.0	122.0	126.0	130.0

Rail Terminal Block (Current: 200A)

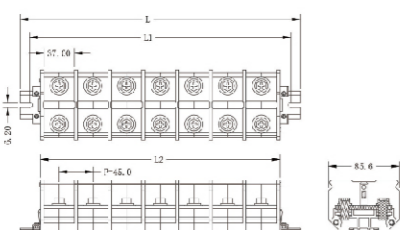
Model No.	P/N	Material Name	Color	Compatible Cables /Copper Busbars	Notes
1	FTB-200-02-XX-M8-D	200A Rail Terminal Block	Black	M8	XX represents the number of positions



Number of Positions	1	2	3	4	5	6	7	8	9	10	11	12	13	14	15	16	17	18	19	20	21	22	23	24
Dimensions L	56	112.0	168.0	224.0	280.0	336.0	392.0	448.0	504.0	560.0	616.0	672.0	728.0	784.0	840.0	896.0	952.0	1008.0	1064.0	1120.0	1176.0	1232.0	1288.0	1344.0
Dimensions W	36	36	36	36	36	36	36	36	36	36	36	36	36	36	36	36	36	36	36	36	36	36	36	36
Dimensions H	42	78.0	114.0	150.0	186.0	222.0	258.0	294.0	330.0	366.0	402.0	438.0	474.0	510.0	546.0	582.0	618.0	654.0	690.0	726.0	762.0	798.0	834.0	870.0

Rail Terminal Block (Current: 300A)

Model No.	P/N	Material Name	Color	Compatible Cables /Copper Busbars	Notes
1	FTB-300-01-XX-M10-D	300A Rail Terminal Block	Black	M10	XX represents the number of positions



Number of Positions	1	2	3	4	5	6	7	8	9	10	11	12	13	14	15	16	17	18	19	20	21	22	23	24
Dimensions L	92	140.0	188.0	236.0	284.0	332.0	380.0	428.0	476.0	524.0	572.0	620.0	668.0	716.0	764.0	812.0	860.0	908.0	956.0	1004.0	1052.0	1100.0	1148.0	1196.0
Dimensions W	71	71	71	71	71	71	71	71	71	71	71	71	71	71	71	71	71	71	71	71	71	71	71	71
Dimensions H	42	90.0	138.0	186.0	234.0	282.0	330.0	378.0	426.0	474.0	522.0	570.0	618.0	666.0	714.0	762.0	810.0	858.0	906.0	954.0	1002.0	1050.0	1098.0	1146.0

Flexible Spliceable Rail Terminal Block (Current: 40A-300A)



FTB40A~200A Flexible Spliceable Rail Terminal Block enables safe, reliable, and effective connections, especially widely used in high current and high voltage environments in energy storage, electrical grid, and industrial equipment fields.

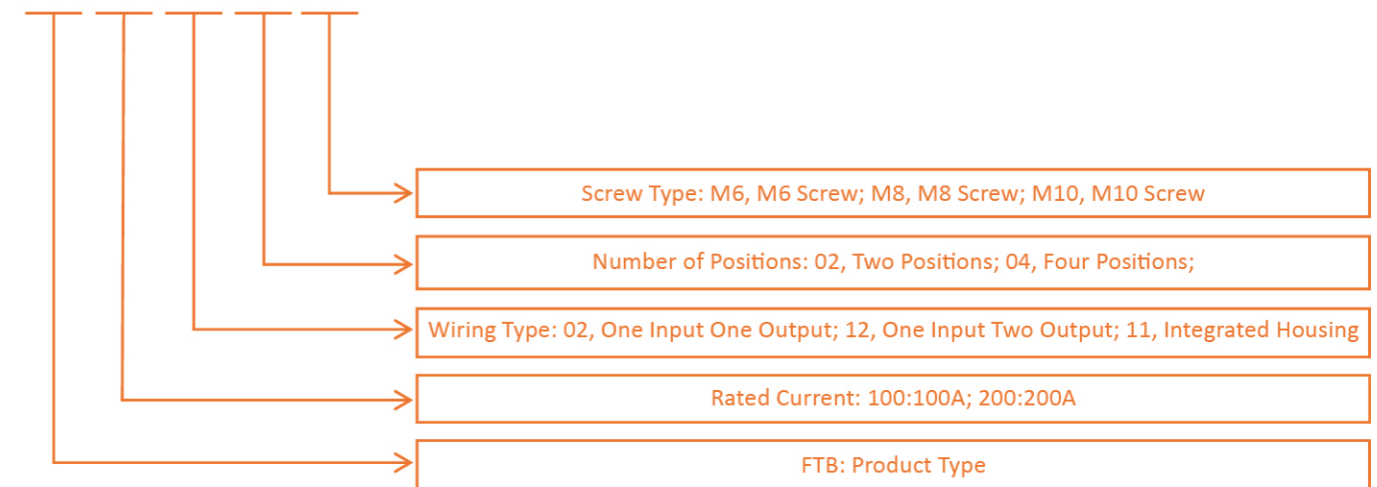
Features

- High-performance plastic integrated housing with reliable insulation and simple structure;
- Current ratings and positions are flexibly spliceable.
- Housing color black.
- Transparent protective cover prevents accidental contact.
- Hole size can be customized.

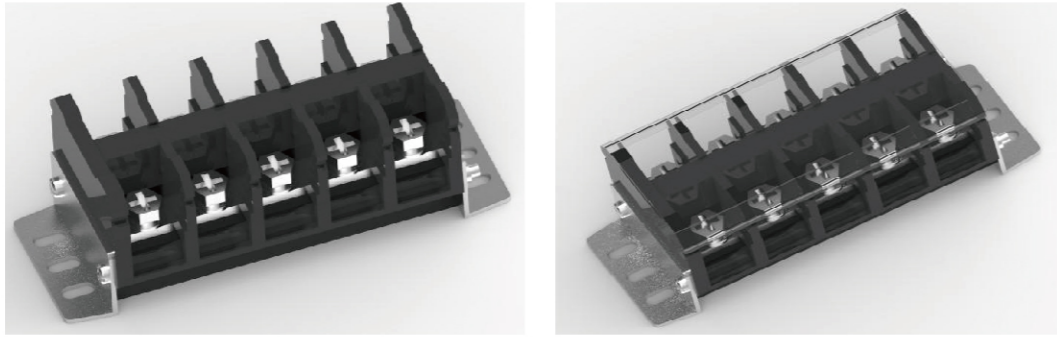
Product Performance	
Rated Current	30~200A
Rated Voltage	600V DC
Voltage Resistance	3,000V AC
Insulation Resistance	≥500MΩ(DC600V)
Screw Specifications	M6/M8/M10
Operating Temperature	-40°C to 125°C
Bus Bar	Red Copper/Copper Alloy, Nickel-plated Surface
Housing	PBT+GF
Flame Retardant Rating	UL94V0

Product Selection Table:

FTB 100 - 03- XX- XX + FTB 40 - 01- XX- XX



Screw Terminal Block (Current: 40~300A)



FTB40~300A Screw Terminal Block enables safe, reliable, and effective connections, especially widely used in high current and high voltage environments in energy storage, electrical grid, and industrial equipment fields.

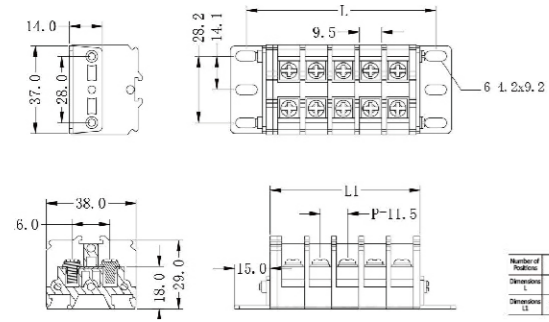
Features

- High-performance plastic integrated housing with reliable insulation and simple structure;
- Housing color black
- Transparent protective cover prevents accidental contact.
- Hole size can be customized.

Product Performance	
Rated Current	40~300A
Rated Voltage	600V DC
Voltage Resistance	3,000V AC
Insulation Resistance	≥500MΩ(DC600V)
Screw Specifications	M4
Operating Temperature	-40°C to 125°C
Bus Bar	Copper Alloy, Nickel-plated Surface
Housing	PC
Flame Retardant Rating	UL94V0

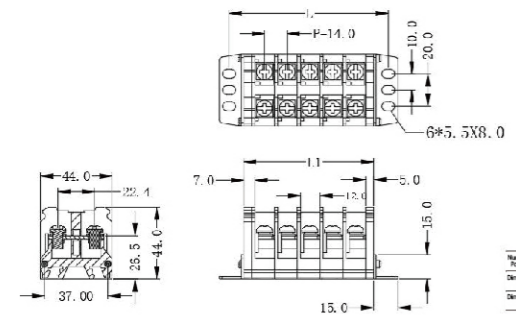
Product Selection Table:

Model No.	P/N	Material Name	Color	Compatible Cables /Copper Busbars	Notes
1	FTB-40-01-XX-M4-L	40A Screw Terminal Block	Black	M4	XX represents the number of positions



Number of Positions	1	2	3	4	5	6	7	8	9	10	11	12	13	14	15	16	17	18	19	20	21	22	23	24
Dimensions L	34	46.5	67.0	88.5	109.0	129.5	150.0	170.5	191.0	211.5	232.0	252.5	273.0	293.5	314.0	334.5	355.0	375.5	396.0	416.5	437.0	457.5	478.0	498.5
Dimensions L1	17.6	29.0	43.6	58.2	72.8	87.4	102.0	116.6	131.2	145.8	160.4	175.0	189.6	204.2	218.8	233.4	248.0	262.6	277.2	291.8	306.4	321.0	335.6	350.2

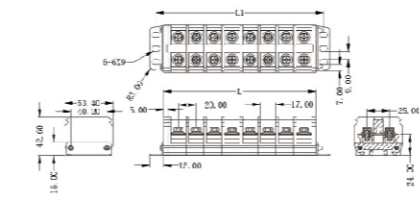
Model No.	P/N	Material Name	Color	Compatible Cables /Copper Busbars	Notes
1	FTB-60-01-XX-M5-L	60A Screw Terminal Block	Black	M5	XX represents the number of positions



Number of Positions	1	2	3	4	5	6	7	8	9	10	11	12	13	14	15	16	17	18	19	20	21	22	23	24
Dimensions L	42	56.0	70.0	84.0	98.0	112.0	126.0	140.0	154.0	168.0	182.0	196.0	210.0	224.0	238.0	252.0	266.0	280.0	294.0	308.0	322.0	336.0	350.0	364.0
Dimensions L1	24	38.0	52.0	66.0	80.0	94.0	108.0	122.0	136.0	150.0	164.0	178.0	192.0	206.0	220.0	234.0	248.0	262.0	276.0	290.0	304.0	318.0	332.0	346.0

Screw Terminal Block (Current: 75A)

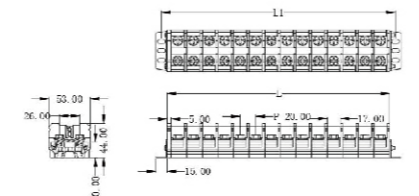
Model No.	P/N	Material Name	Color	Compatible Cables /Copper Busbars	Notes
1	FTB-75-01-XX-M6-L	75A Screw Terminal Block	Black	M6	XX represents the number of positions



Number of Positions	1	2	3	4	5	6	7	8	9	10	11	12	13	14	15	16	17	18	19	20	21	22	23	24
Dimensions L	50	70.0	90.0	110.0	130.0	150.0	170.0	190.0	210.0	230.0	250.0	270.0	290.0	310.0	330.0	350.0	370.0	390.0	410.0	430.0	450.0	470.0	490.0	510.0
Dimensions L1	46.5	66.5	86.5	106.5	126.5	146.5	166.5	186.5	206.5	226.5	246.5	266.5	286.5	306.5	326.5	346.5	366.5	386.5	406.5	426.5	446.5	466.5	486.5	506.5

Screw Terminal Block (Current: 100A)

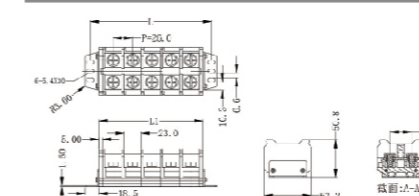
Model No.	P/N	Material Name	Color	Compatible Cables /Copper Busbars	Notes
1	FTB-100-03-XX-M6-L	100A Screw Terminal Block	Black	M6	XX represents the number of positions



Number of Positions	1	2	3	4	5	6	7	8	9	10	11	12	13	14	15	16	17	18	19	20	21	22	23	24
Dimensions L	25	45.0	65.0	85.0	105.0	125.0	145.0	165.0	185.0	205.0	225.0	245.0	265.0	285.0	305.0	325.0	345.0	365.0	385.0	405.0	425.0	445.0	465.0	485.0
Dimensions L1	40	30.0	80.0	100.0	120.0	140.0	160.0	180.0	200.0	220.0	240.0	260.0	280.0	300.0	320.0	340.0	360.0	380.0	400.0	420.0	440.0	460.0	480.0	500.0

Screw Terminal Block (Current: 150A)

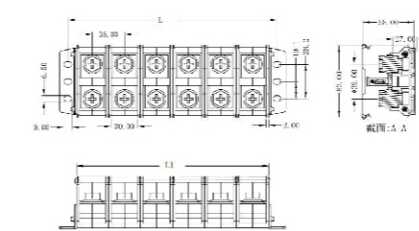
Model No.	P/N	Material Name	Color	Compatible Cables /Copper Busbars	Notes
1	FTB-150-01-XX-M8-L	150A Screw Terminal Block	Black	M8	XX represents the number of positions



Number of Positions	1	2	3	4	5	6	7	8	9	10	11	12	13	14	15	16	17	18	19	20	21	22	23	24
Dimensions L	50	90.0	130.0	170.0	210.0	250.0	290.0	330.0	370.0	410.0	450.0	490.0	530.0	570.0	610.0	650.0	690.0	730.0	770.0	810.0	850.0	890.0	930.0	970.0
Dimensions L1	36	62.0	98.0	134.0	170.0	206.0	242.0	278.0	314.0	350.0	386.0	422.0	458.0	494.0	530.0	566.0	602.0	638.0	674.0	710.0	746.0	782.0	818.0	854.0

Screw Terminal Block (Current: 200A)

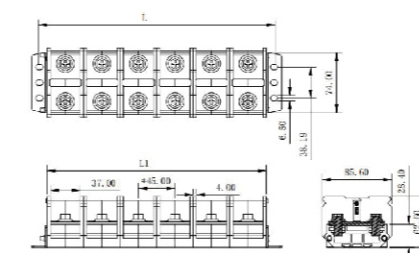
Model No.	P/N	Material Name	Color	Compatible Cables /Copper Busbars	Notes
1	FTB-200-01-XX-M8-L	200A Screw Terminal Block	Black	M8	XX represents the number of positions



Number of Positions	1	2	3	4	5	6	7	8	9	10	11	12	13	14	15	16	17	18	19	20	21	22	23	24
Dimensions L	55	91.0	127.0	163.0	199.0	235.0	271.0	307.0	343.0	379.0	415.0	451.0	487.0	523.0	559.0	595.0	631.0	667.0	703.0	739.0	775.0	811.0	847.0	883.0
Dimensions L1	36	72.0	108.0	144.0	180.0	216.0	252.0	288.0	324.0	360.0	396.0	432.0	468.0	504.0	540.0	576.0	612.0	648.0	684.0	720.0	756.0	792.0	828.0	864.0

Screw Terminal Block (Current: 300A)

Model No.	P/N	Material Name	Color	Compatible Cables /Copper Busbars	Notes
1	FTB-300-01-XX-M10-L	300A Screw Terminal Block	Black	M10	XX represents the number of positions



Number of Positions	1	2	3	4	5	6	7	8	9	10	11	12	13	14	15	16	17	18	19	20	21	22	23	24
Dimensions L	60	111.0	162.0	213.0	264.0	315.0	366.0	417.0	468.0	519.0	570.0	621.0	672.0	723.0	774.0	825.0	876.0	927.0	978.0	1029.0	1080.0	1131.0	1182.0	1233.0
Dimensions L1	46	93.0	136.0	179.0	222.0	265.0	308.0	351.0	394.0	437.0	480.0	523.0	566.0	609.0	652.0	695.0	738.0	781.0	824.0	867.0	910.0	953.0	996.0	1039.0

Single Output Dual Splice Terminal Block (Current: 100~150A)



FTB100~150A Single Output Dual Splice Terminal Block enables safe, reliable, and effective connections, especially widely used in high current and high voltage environments in energy storage, electrical grid, and industrial equipment fields.

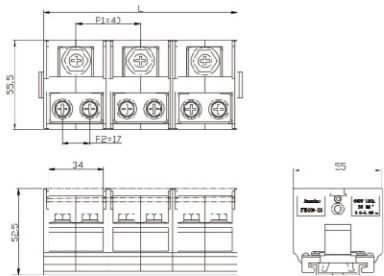
Features

- High-performance plastic integrated housing with reliable insulation and simple structure;
- Housing color black, positions selectable.
- Optional transparent protective cover to prevent contact.
- Optional screws or rail support

Product Performance	
Rated Current	100~150A
Rated Voltage	600V DC
Voltage Resistance	3,000V AC
Insulation Resistance	≥500MΩ(DC600V)
Screw Specifications	M6/M8/M10
Operating Temperature	-40°C to 125°C
Bus Bar	Copper Alloy, Nickel-plated Surface
Housing	PC
Flame Retardant Rating	UL94V0

Product Selection Table:

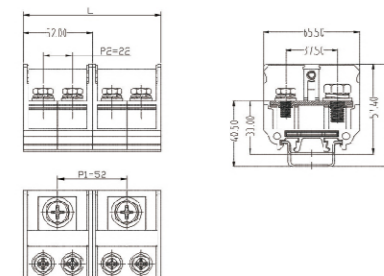
Model No.	P/N	Material Name	Color	Compatible Cables /Copper Busbars	Notes
1	FTB-100-13-XX-M8	100A Single Output Dual Splice Terminal Block	Black	M6/M8	XX represents the number of positions



Number of Positions	1	2	3	4	5	6	7	8	9	10	11	12	13	14	15	16	17	18	19	20	21	22	23	24
Dimensions L	40.0	80.0	120.0	160.0	200.0	240.0	280.0	320.0	360.0	400.0	440.0	480.0	520.0	560.0	600.0	640.0	680.0	720.0	760.0	800.0	840.0	880.0	920.0	960.0

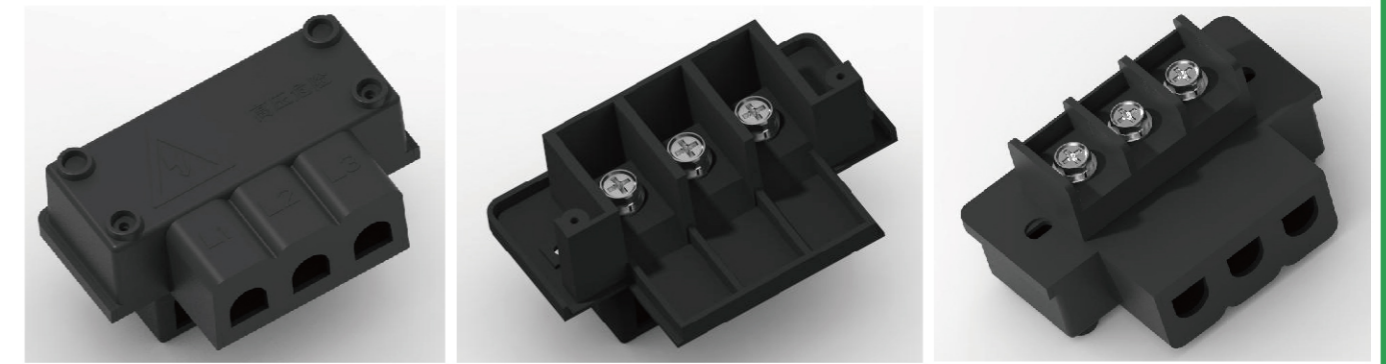
Product Selection Table:

Model No.	P/N	Material Name	Color	Compatible Cables /Copper Busbars	Notes
1	FTB-150-13-XX-M8	150A Single Output Dual Splice Terminal Block	Black	M10/M8	XX represents the number of positions



Number of Positions	1	2	3	4	5	6	7	8	9	10	11	12	13	14	15	16	17	18	19	20	21	22	23	24
Dimensions L	52	104.0	156.0	208.0	260.0	312.0	364.0	416.0	468.0	520.0	572.0	624.0	676.0	728.0	780.0	832.0	884.0	936.0	988.0	1040.0	1092.0	1144.0	1196.0	1248.0

Protective Terminal Block (Current: 45~180A)



FTB45~180A protective terminal block can achieve safe, reliable, and effective connection, especially widely used in high-current and high-voltage environments in energy storage, power grid, and industrial equipment fields within China.

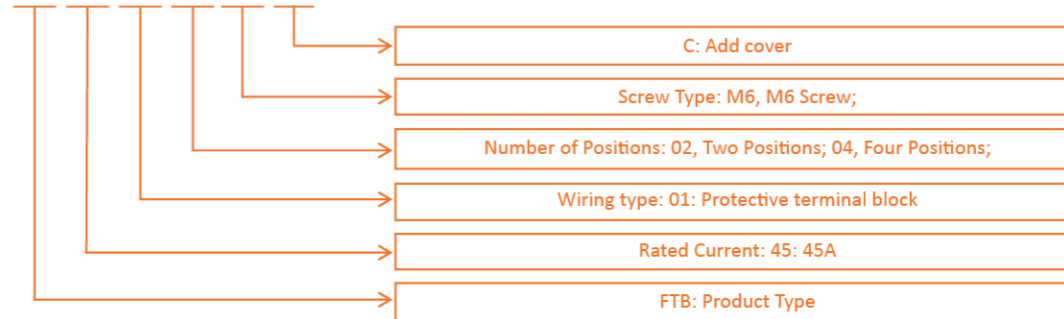
Features

- High-performance plastic integrated housing with reliable insulation and simple structure;
- Position count expandable from 2 to 6 positions
- Housing colors black and red available
- Protection level: IP54

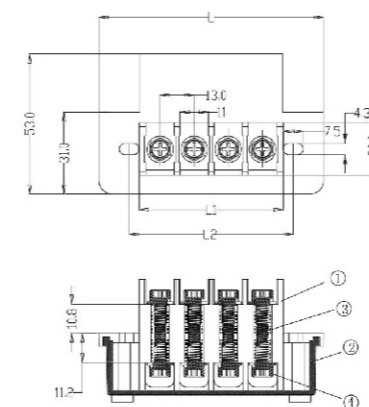
Product Performance	
Rated Current	15~180A
Rated Voltage	600V DC
Voltage Resistance	3,000V AC
Insulation Resistance	≥500MΩ(DC600V)
Screw Specifications	M6/M8
Operating Temperature	-40°C to 125°C
Bus Bar	Copper Alloy
Housing	PBT+GF
Flame Retardant Rating	UL94V0

Product Selection Table:

FTB 45 - 01- XX- XX- C



Model No.	P/N	Material Name	Color	Compatible Cables /Copper Busbars	Notes
1	FTB-45--01-XX-M6	45A Covered Terminal Block	Black	M6	XX represents the number of positions



Number of Positions	1	2	3	4	5	6
Dimensions L	46.0	59.0	72.0	85.0	98.0	111.0
Dimensions L1	15.5	28.5	41.5	54.5	67.5	80.5
Dimensions L2	23.0	36.0	49.0	62.0	75.0	88.0

Single Output Miniaturized Terminal Block (Current: 150A)



FTB150A integrated fence terminal block can achieve safe, reliable, and effective connection, especially widely used in high-current and high-voltage environments in energy storage, power grid, and industrial equipment fields within China.

Features

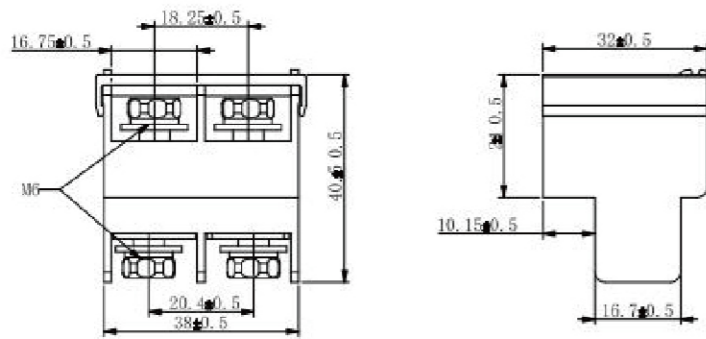
- Product is miniaturized, occupies minimal space, and can meet the needs for structural miniaturization.
- High-performance plastic integrated housing with reliable insulation and simple structure;
- Housing color options red or black.
- Transparent protective cover prevents accidental contact.

Product Performance	
Rated Current	150A
Rated Voltage	600V DC
Voltage Resistance	3,000V AC
Insulation Resistance	≥500MΩ(DC600V)
Screw Specifications	M8
Operating Temperature	-40°C to 125°C
Bus Bar	Red Copper, Nickel-plated Surface
Housing	PA+GF
Flame Retardant Rating	UL94V0

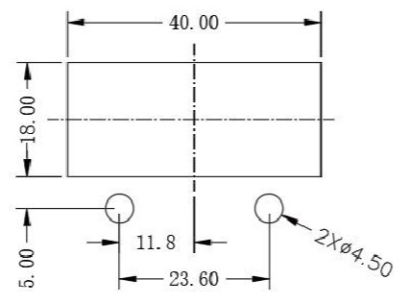
Product Selection Table:

Model No.	P/N	Material Name	Color	Compatible Cables /Copper Busbars	Notes
1	FTB-150-22-M8-C	150A	Red/Black	35mm ²	

Product size



Panel opening size



Single Output Dual Miniaturized Terminal Block (Current: 200~250A)



FTB200A~250A Integrated Fence Terminal Block enables safe, reliable, and efficient connections widely used in high current, high voltage environments in energy storage, power grid, and industrial equipment fields.

Features

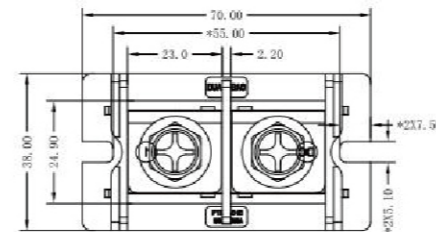
- Product is miniaturized, occupies minimal space, and can meet the needs for structural miniaturization.
- High-performance plastic integrated housing with reliable insulation and simple structure;
- Housing color options red or black.
- Transparent protective cover prevents accidental contact.

Product Performance	
Rated Current	200~250A
Rated Voltage	1,500V DC
Voltage Resistance	5,000V AC
Insulation Resistance	≥500MΩ(DC600V)
Screw Specifications	M6/M8
Operating Temperature	-40°C to 125°C
Bus Bar	Red Copper, Nickel-plated Surface
Housing	PA66+GF
Flame Retardant Rating	UL94V0

Product Selection Table:

Model No.	P/N	Material Name	Color	Compatible Cables/Copper Busbars	Notes
1	FTB-250-21-M8-C	250A	Red/Black	70mm ²	
2	FTB-200-21-M8-C	200A	Red/Black	50mm ²	

Product size



Panel opening size

